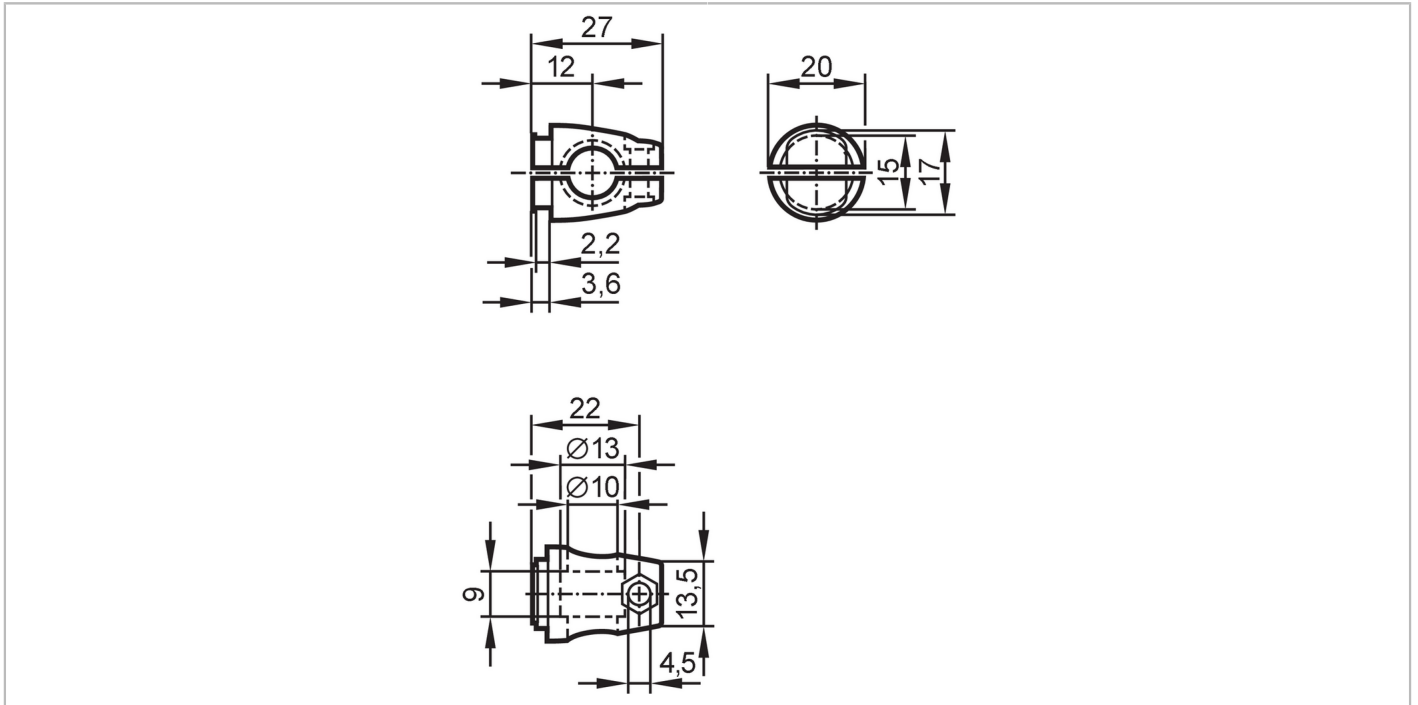


E20844



Mounting set for position sensors

CLAMP OF V4A FREESTANDING



Mechanical data

Weight	[g]	92.5
Type of mounting		free-standing; (M8)
Dimensions	[mm]	M8
Thread designation		M8
Materials		Clamp: stainless steel (316Ti/1.4571)

Accessories

Items supplied	head cap screw: 1 x (M8 x 80 mm)
	hexagon nuts: 2 x M8
	washers: 2

Remarks

Pack quantity	1 pcs.
---------------	--------