

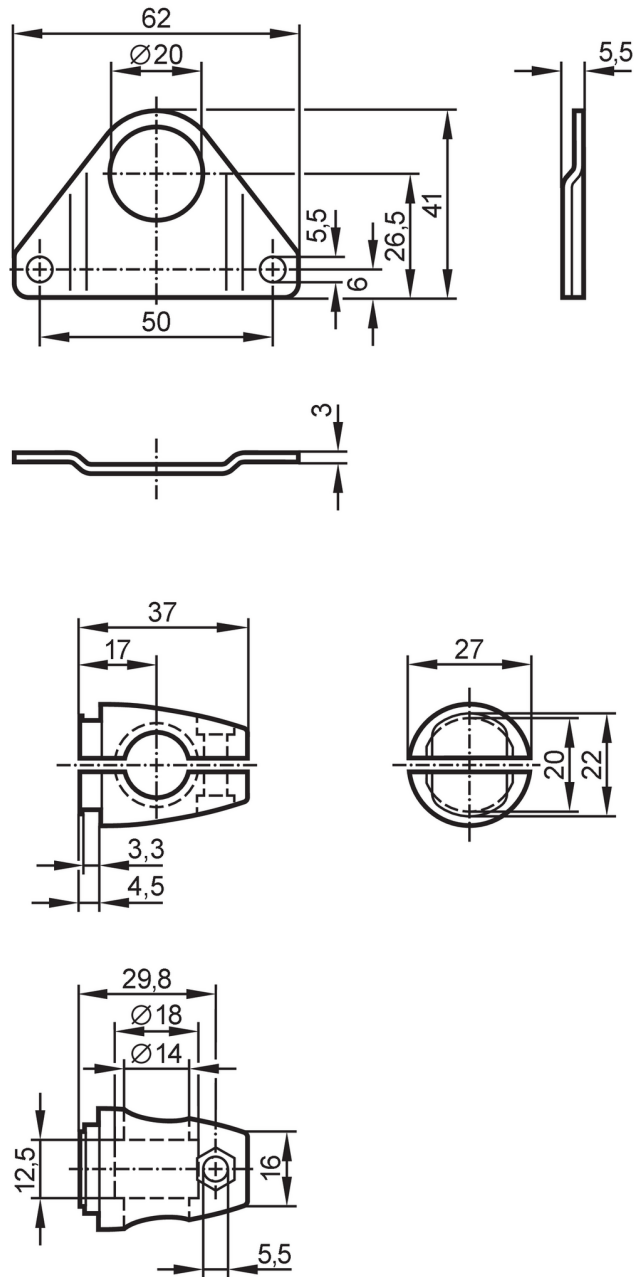


Mounting set for photoelectric sensors

MOUNTING SET OL BOLT

phase-out article

Discontinuation date: 03/31/2026



Application

Design

clamp mounting

Mechanical data

Weight

[g]

284

Type of mounting

free-standing; (M12)

Materials

fixture: stainless steel (303/1.4305); Clamp: diecast zinc

E20792



Mounting set for photoelectric sensors

MOUNTING SET OL BOLT

Accessories	
Items supplied	screw: 1 x (M12 x 120 mm)
	washers: 2
	Nuts: 2 x (M12)
	socket head screws: 2 x (M5 x 16 mm)
	spring washers: 2
	Nuts: 2 x (M5)
Remarks	
Pack quantity	1 pcs.