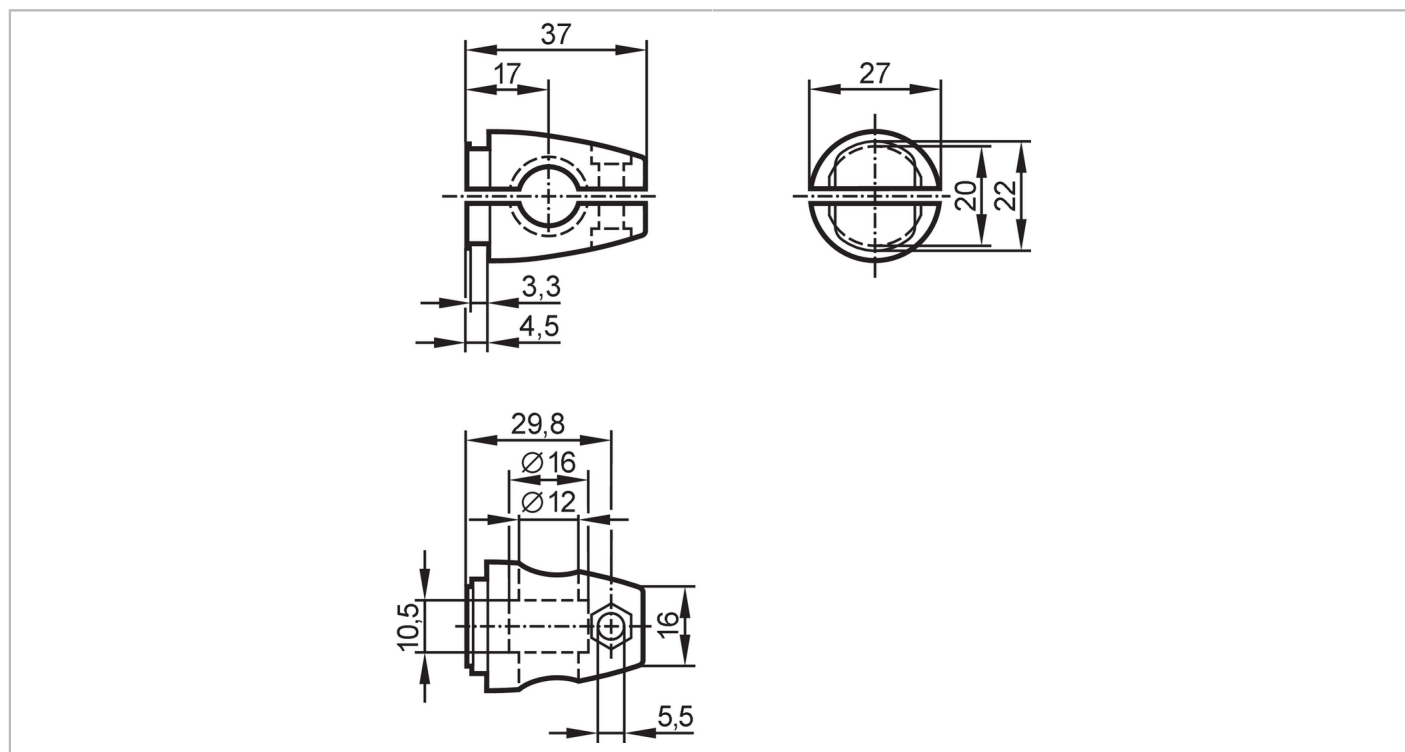


E20717



Clamp

CLAMP KR



Mechanical data	
Weight [g]	79.5
Type of mounting	Mounting rod; (Ø 12 mm)
Dimensions [mm]	27 x 27 x 37
Materials	Clamp: diecast zinc
Accessories	
Items supplied	Clamps: 1 cylinder screws: 1 x (M5 x 16 mm) hexagon nuts: 1 x M5
Remarks	
Pack quantity	1 pcs.