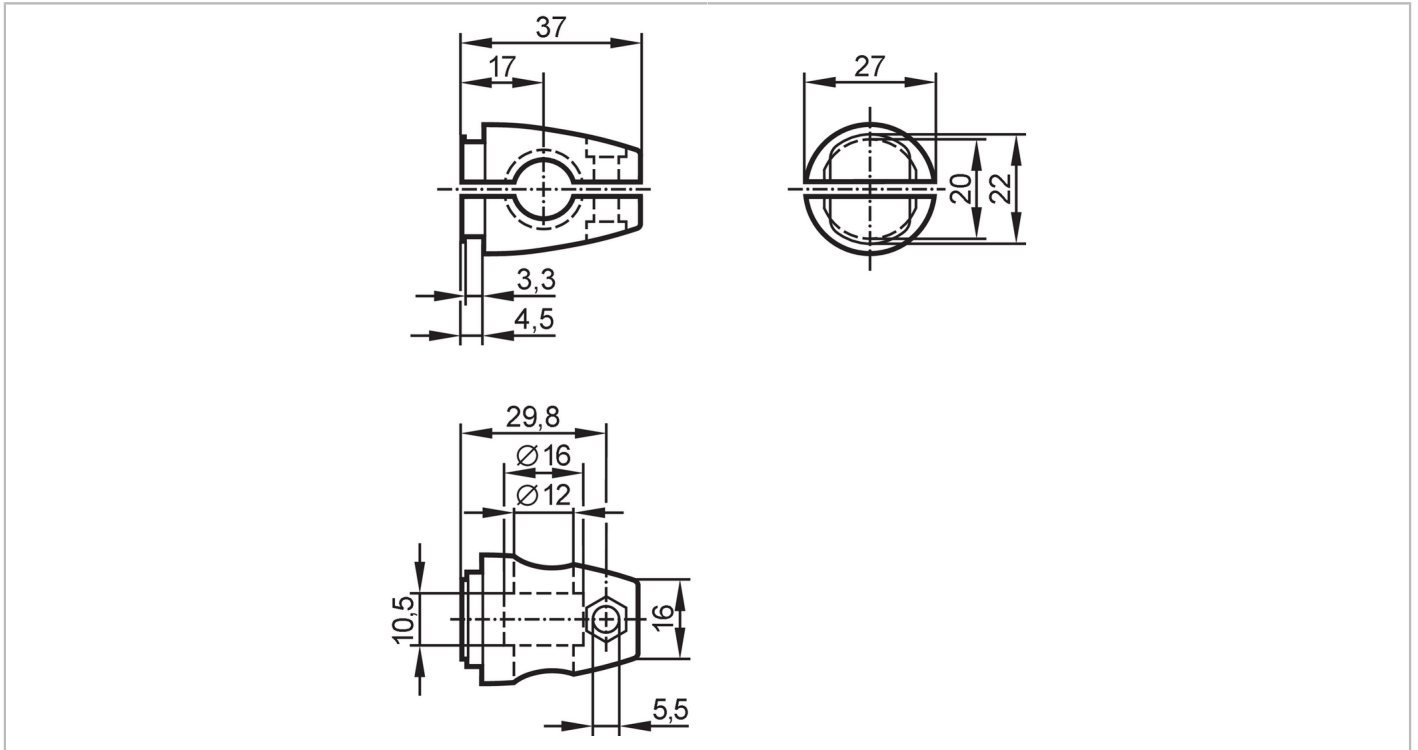


E20716



Mounting set for position sensors

CLAMP KF



Mechanical data

Weight	[g]	146
Type of mounting		free-standing; (M10)
Dimensions	[mm]	27 x 27 x 37
Thread designation		M10
Materials		Clamp: diecast zinc

Accessories

Items supplied	head cap screw: 1 x (M10 x 55 mm)
----------------	-----------------------------------

Remarks

Pack quantity	1 pcs.
---------------	--------