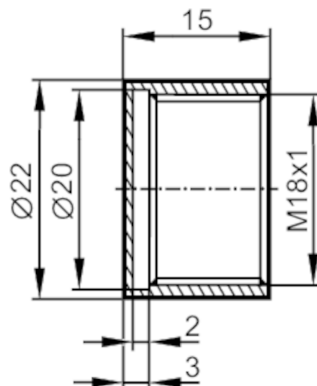


# E12083



## Protective cover

PROTECTIVE COVER M18/15MM PTFE



### Mechanical data

Weight	[g]	6.8
External diameter	[mm]	22
Materials		PTFE
Sensor connection		threaded connection M18 x 1,5 internal thread

### Remarks

Pack quantity		1 pcs.
---------------	--	--------