

# E11244

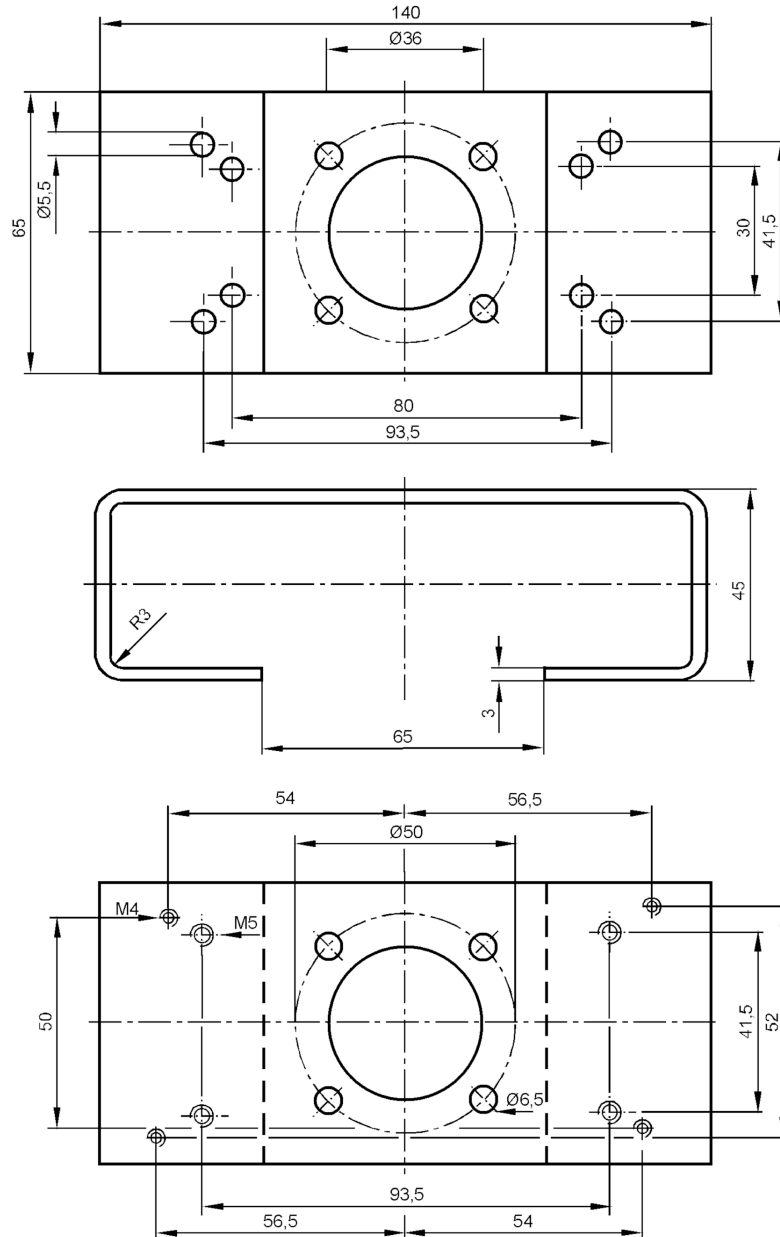


## Mounting bracket for valve actuators

Bracket Keystone

discontinued article

Discontinuation date: 31.03.2017



### Application

Design

for Keystone actuators

### Mechanical data

Weight

[g]

402.9

Materials

stainless steel (1.4301 / 304)

### Remarks

Notes

discontinued article

Pack quantity

1 pcs.

discontinued article

# E11244

## Mounting bracket for valve actuators

Bracket Keystone



Discontinuation date: 31.03.2017