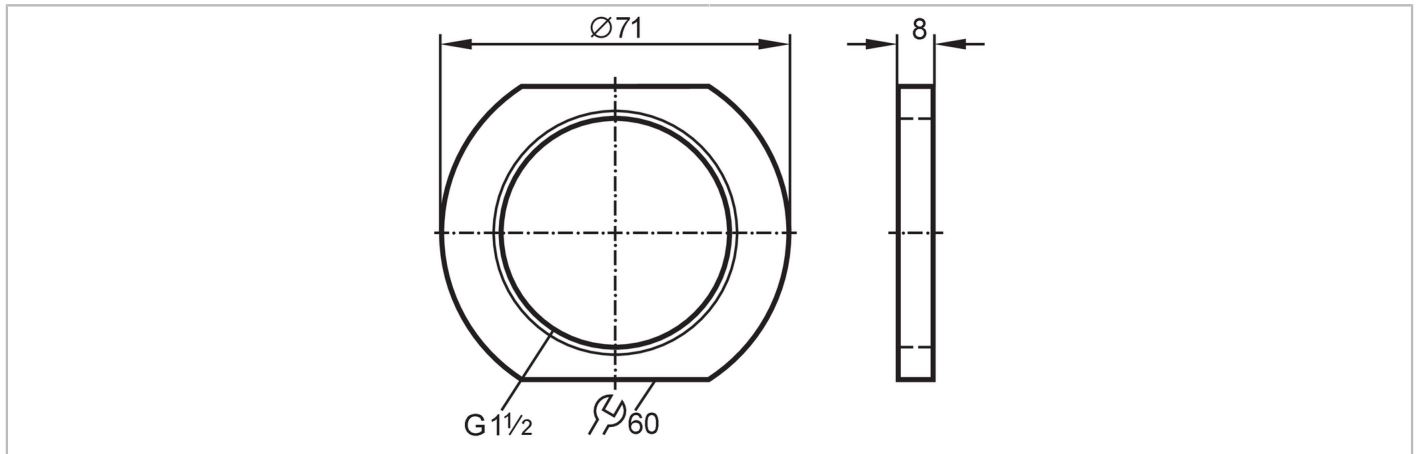


E11031



Lock nut for mounting adapter

NUT MOUNTING ADAPTER POM



Application

Design		for mounting adapters
Medium temperature	[°C]	-25...100
Medium temperature short time	[°C]	-25...110

Mechanical data

Weight	[g]	23.4
Dimensions	[mm]	G 1 1/2
Thread designation		G 1 1/2
External diameter	[mm]	71
Materials		POM

Remarks

Pack quantity		1 pcs.
---------------	--	--------