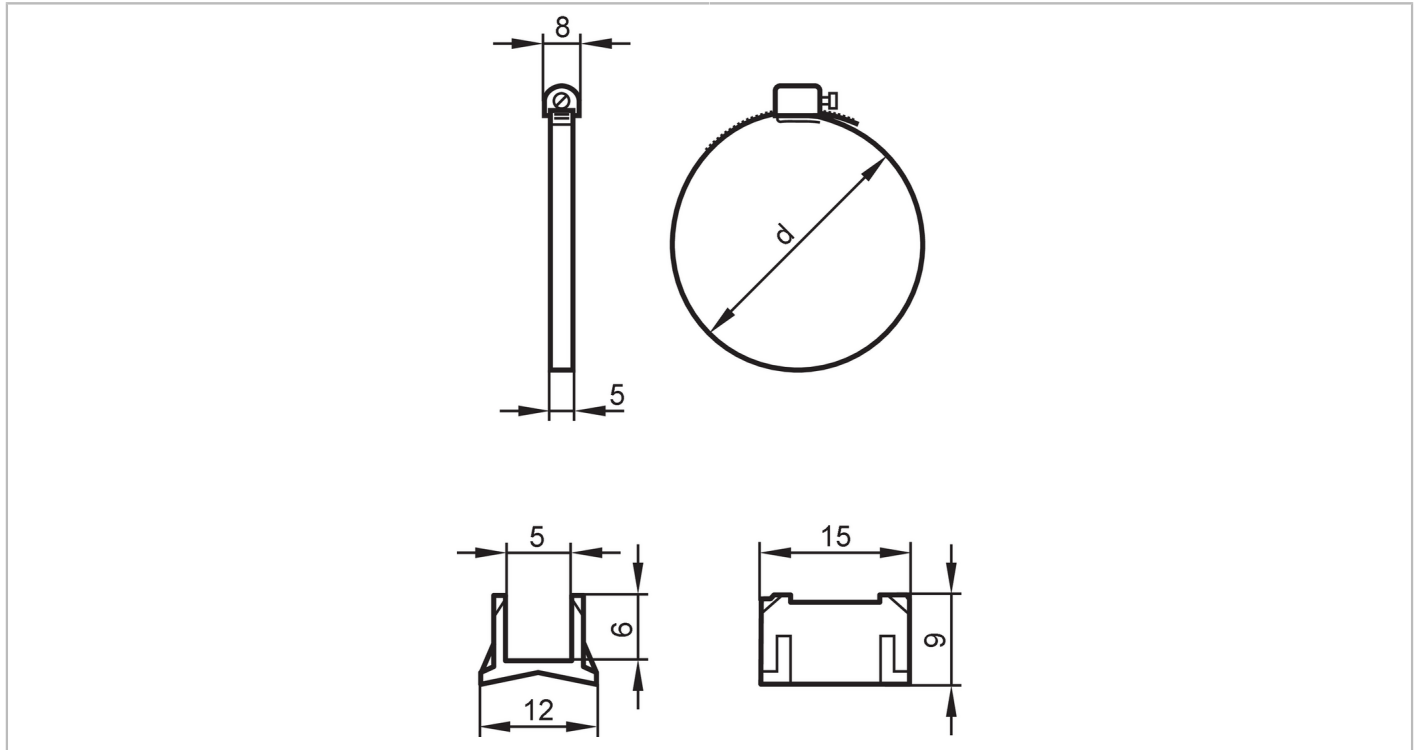


# E11821



## Fixing strap for clean-line cylinders

FIXING STRAP CLEAN-LINE CYL



### Application

Design for types MKT

### Mechanical data

Weight	[g]	8.2
Dimensions	[mm]	Ø 63
Materials		Adapter: PA; fixing strap: stainless steel (303/1.4305)
Piston diameter	[mm]	63
Clamping range	[mm]	58...69

### Accessories

Items supplied Adapter: 1 x for types MKT  
Fixing strap for clean-line cylinders: 1

### Remarks

Pack quantity 1 pcs.