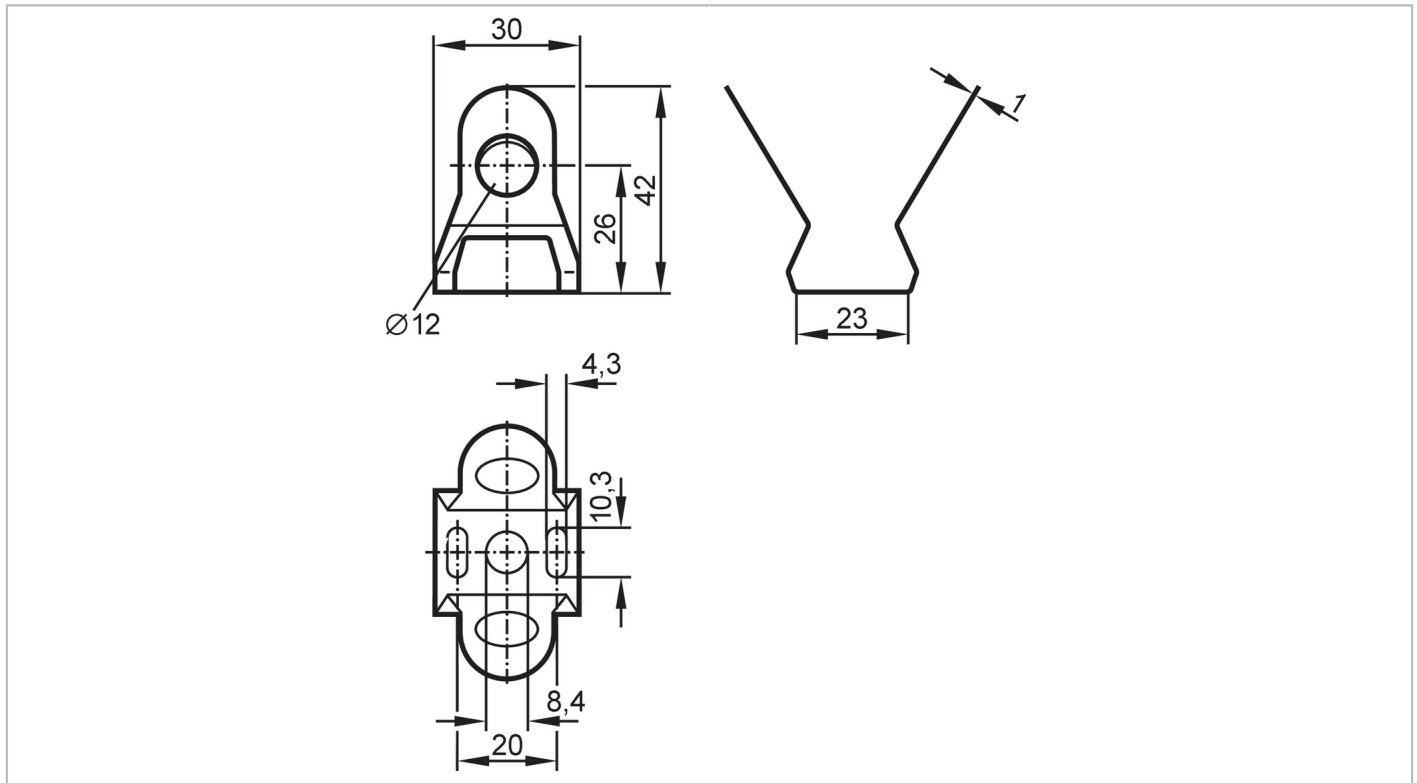


E11530



Mounting clip

MOUNTING CLIP V4A D12 MM



Application	
Design	for smooth-body units Ø 12 mm
Mechanical data	
Weight [g]	14.7
Dimensions [mm]	Ø 12
Materials	stainless steel (316L/1.4404)
Remarks	
Pack quantity	1 pcs.
Diagrams and graphs	

