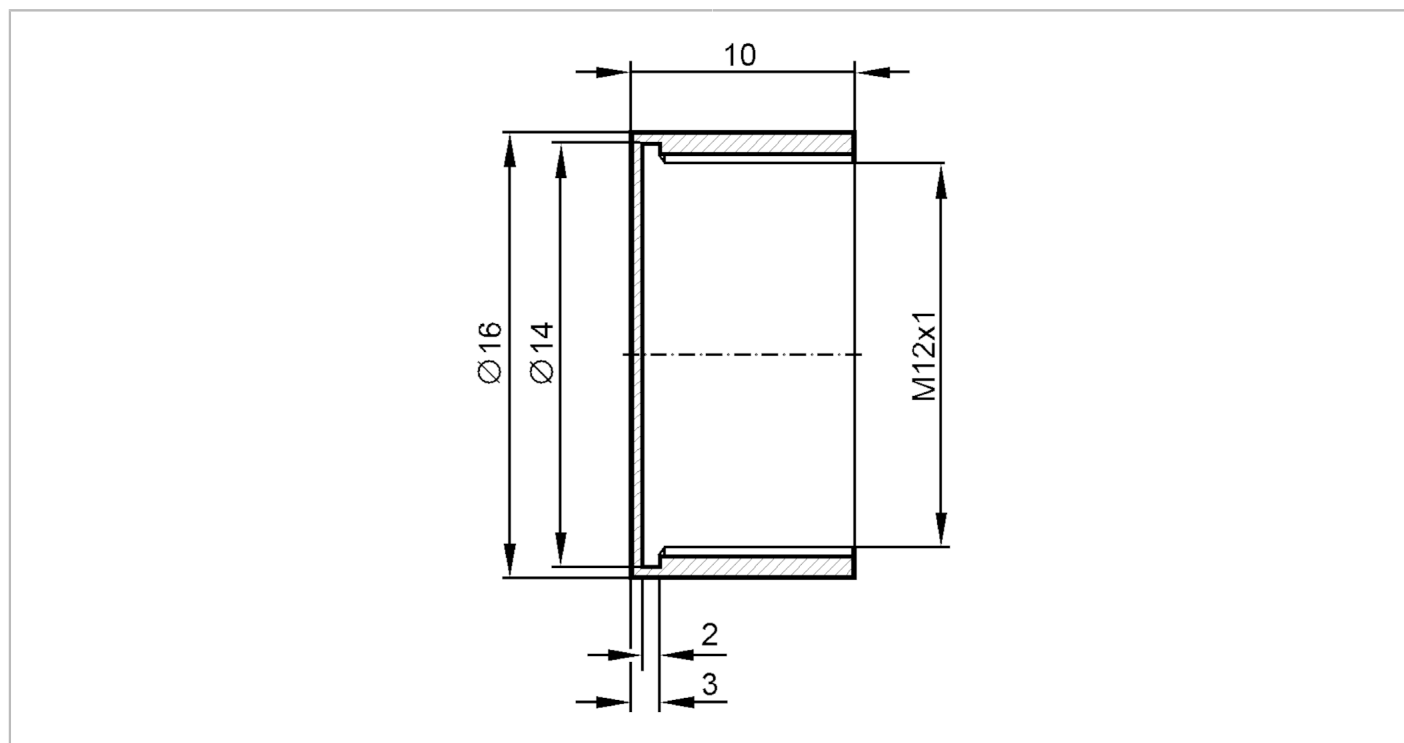


E10242



Protective cover

PROTECTIVE COVER M12 PTFE



Mechanical data	
Weight	[g] 4.25
External diameter	[mm] 16
Materials	PTFE
Sensor connection	threaded connection M12 x 1 internal thread
Remarks	
Pack quantity	1 pcs.