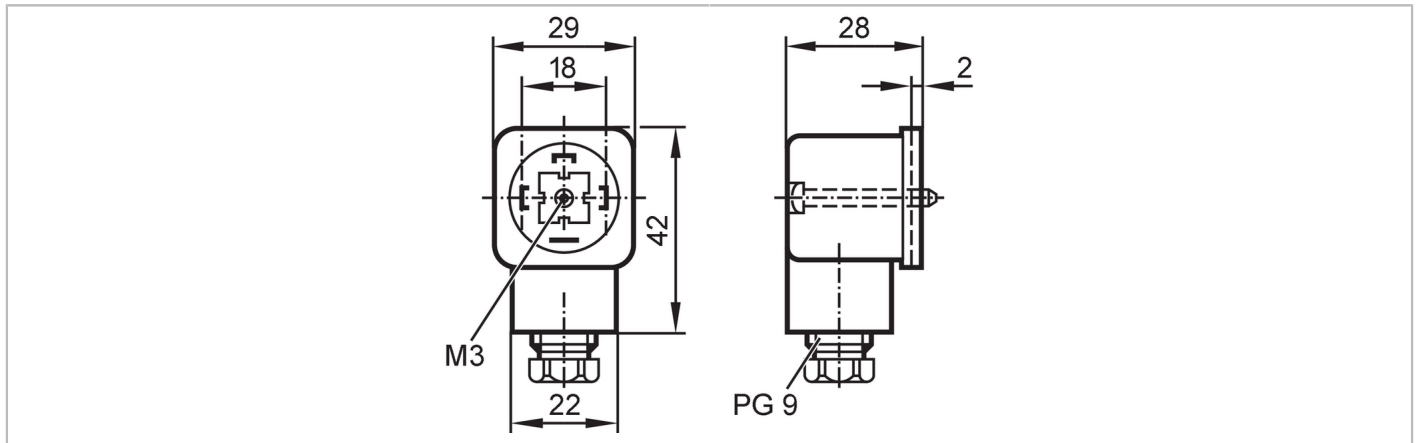


E10058



Wirable valve connector

VALVE PLUG TYPE A

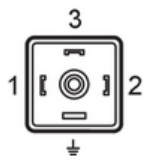


Application	
Special feature	Free from silicone
Application	Industrial applications / factory automation
Free from silicone	yes
Electrical data	
Operating voltage [V]	< 45 AC / < 70 DC
Max. current load total [A]	16
Operating conditions	
Ambient temperature [°C]	-40...125
Protection	IP 65
Mechanical data	
Weight [g]	28
Dimensions [mm]	42 x 29 x 28
Materials	housing: PA; end cap: PA
Remarks	
Pack quantity	1 pcs.

Electrical connection
 terminals: ...1.5 mm²; Cable sheath: Ø 6...8 mm

Electrical connection - socket

Connector: 1 x valve plug type A DIN, angled; Contacts: 4



E10058



Wirable valve connector

VALVE PLUG TYPE A

Connection

