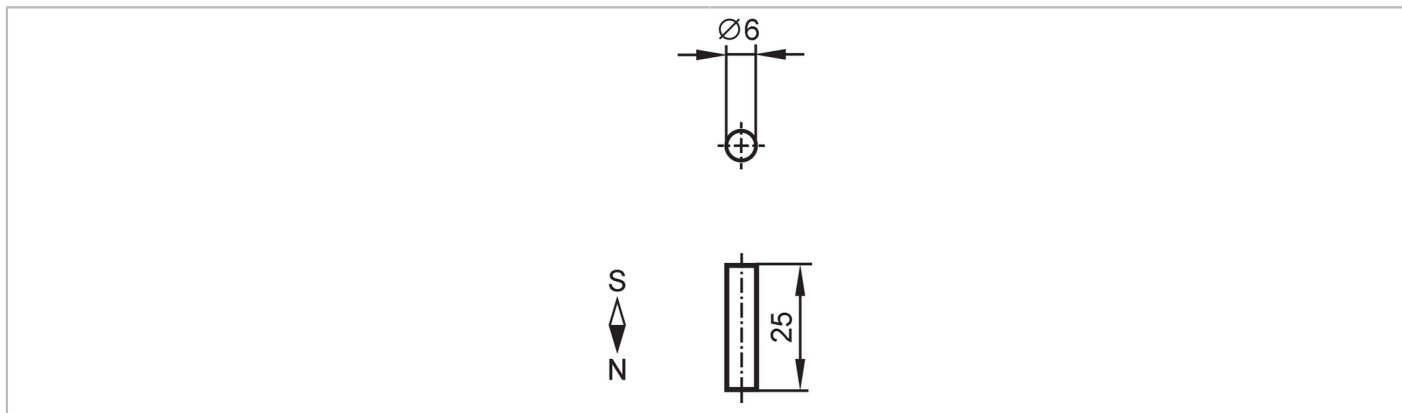


E10750



Damping magnet

MAGNET M2.0/ALNICO



Operating conditions

Ambient temperature	[°C]	-100...500
---------------------	------	------------

Mechanical data

Weight	[g]	6.9
--------	-----	-----

Dimensions	[mm]	Ø 6 / L = 25
------------	------	--------------

Materials		magnet: AlNiCo
-----------	--	----------------

Magnetic field strength	[mT]	110
-------------------------	------	-----

Remarks

Pack quantity		1 pcs.
---------------	--	--------