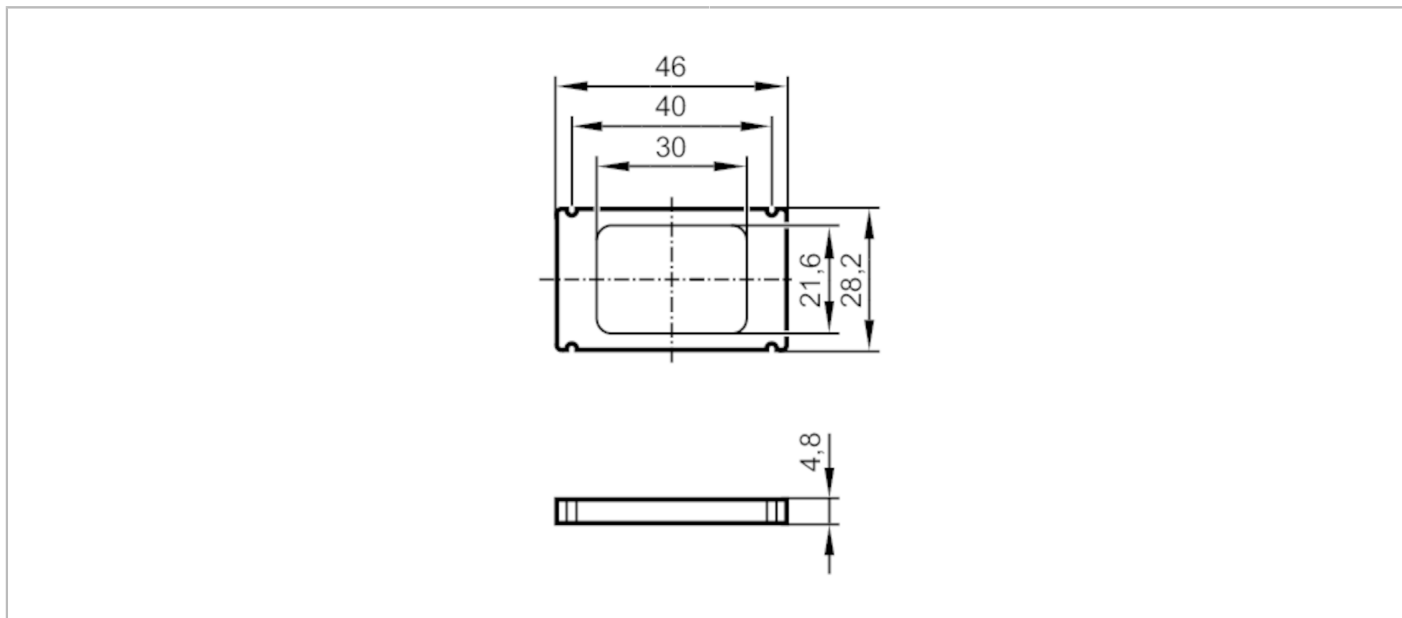


# E3D306



## Sealing

LIGHT BARRIER ATTACHMENT



Application	
Design	self-adhesive
Application	light seal
Mechanical data	
Weight [g]	18
Installation instruction	for O3D3xx with flat front
Dimensions [mm]	46 x 28.2 x 4.8
Materials	Sealing: PU
Remarks	
Pack quantity	1 pcs.