

# DT0001



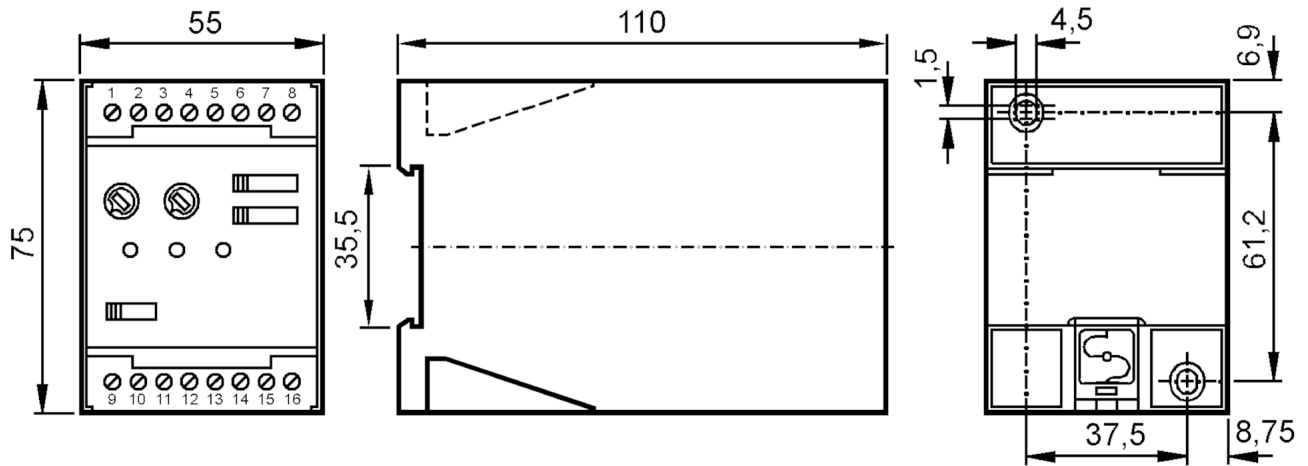
## Multifunction timer relay

T700/230VAC

Article no longer available - archive entry

Alternative articles: DL0201

When selecting an alternative article and accessories please note that technical data may differ!



### Product characteristics

Housing	rectangular
Dimensions [mm]	75 x 55 x 110

### Application

Design	housing for DIN rail mounting
Application	power supply and switching amplifier with timer function

### Electrical data

Nominal voltage AC [V]	< 230
Nominal voltage DC [V]	24
Nominal voltage tolerance [%]	10
Nominal voltage tolerance 2 [%]	10
Nominal frequency AC [Hz]	50...60
Auxiliary energy for sensors DC [V]	24; ( $\pm 5\%$ , $\leq 40$ mA)

### Inputs / outputs

Number of inputs and outputs	Number of relay outputs: 1
------------------------------	----------------------------

### Outputs

Number of relay outputs	1
Contact rating	8 A / 1250 VA / 250 V AC

# DT0001



## Multifunction timer relay

T700/230VAC

Accuracy / deviations		
Repeatability	[% of Sr]	< 3
Operating conditions		
Ambient temperature	[°C]	0...55
Protection		IP 40
Protection rating terminals		IP 20
Mechanical data		
Weight	[g]	444.4
Housing		rectangular
Type of mounting		mounting on DIN rail; (TH35 (EN 60715))
Dimensions	[mm]	75 x 55 x 110
Materials		plastics
Displays / operating elements		
Display	switching status	LED, green
	operation	1 x LED, green

## Electrical connection

terminals: ...4 mm<sup>2</sup>

### Connection

