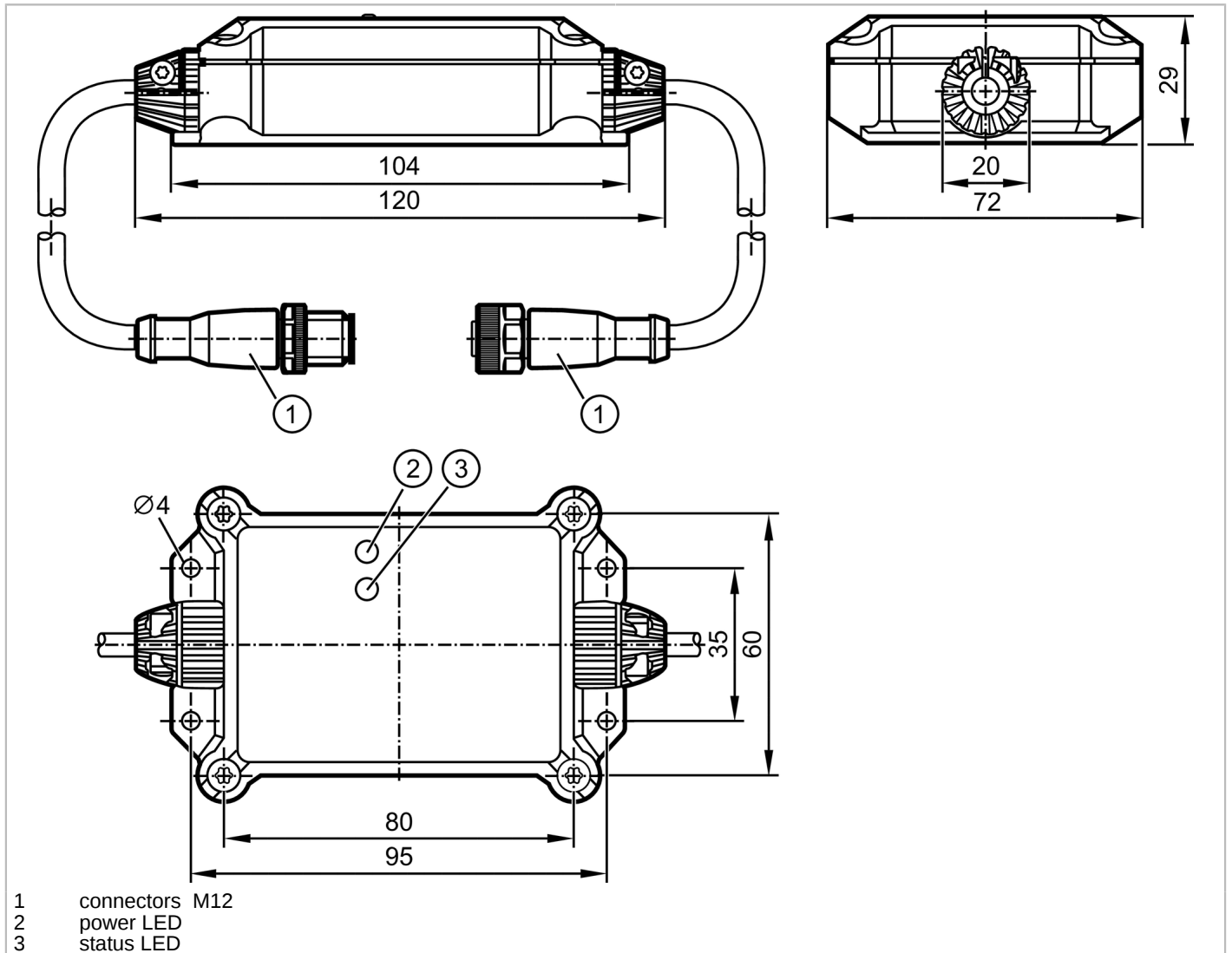


# CR3121



## ISOBUS gateway

ISOBUS Gateway/VT



### Electrical data

Operating voltage	[V]	12...27 DC
Current consumption	[mA]	11...48

### Interfaces

Communication interface	CAN
Number of CAN interfaces	2

### CAN

Transmission rate	250 (125...1000) kBaud
Interface	CAN Interface 2.0 A/B ISO 11898
Terminating resistor	yes; (internal ; 120 Ohm; cannot be deactivated)

### ISOBUS

Transmission rate	250 kBaud
Interface	CAN Interface ISO 11783
Terminating resistor	no



## ISOBUS gateway

ISOBUS Gateway/VT

### Operating conditions

Ambient temperature	[°C]	-40...80
Protection		IP 67

### Mechanical data

Weight	[g]	190.1
Type of mounting		panel / surface
Dimensions	[mm]	72 x 104 x 29
Materials		housing: PA 12 black

### Displays / operating elements

Display	status	1 x LED, green/red
	supply voltage	1 x LED, green/red

### Hardware

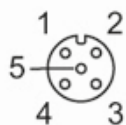
Processor	ARM Cortex M4 32 bit
Program memory	1,5 MB Flash
RAM	RAM: 320 kB FRAM: 16 kB

### Remarks

Pack quantity	1 pcs.
---------------	--------

### Electrical connection - CAN

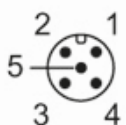
Connector: 1 x M12; coding: A



1	n.c.
2	n.c.
3	n.c.
4	CAN_H
5	CAN_L

### Electrical connection - ISOBUS

Connector: 1 x M12; coding: A



1	n.c.
2	VBB
3	GND
4	CAN_H
5	CAN_L