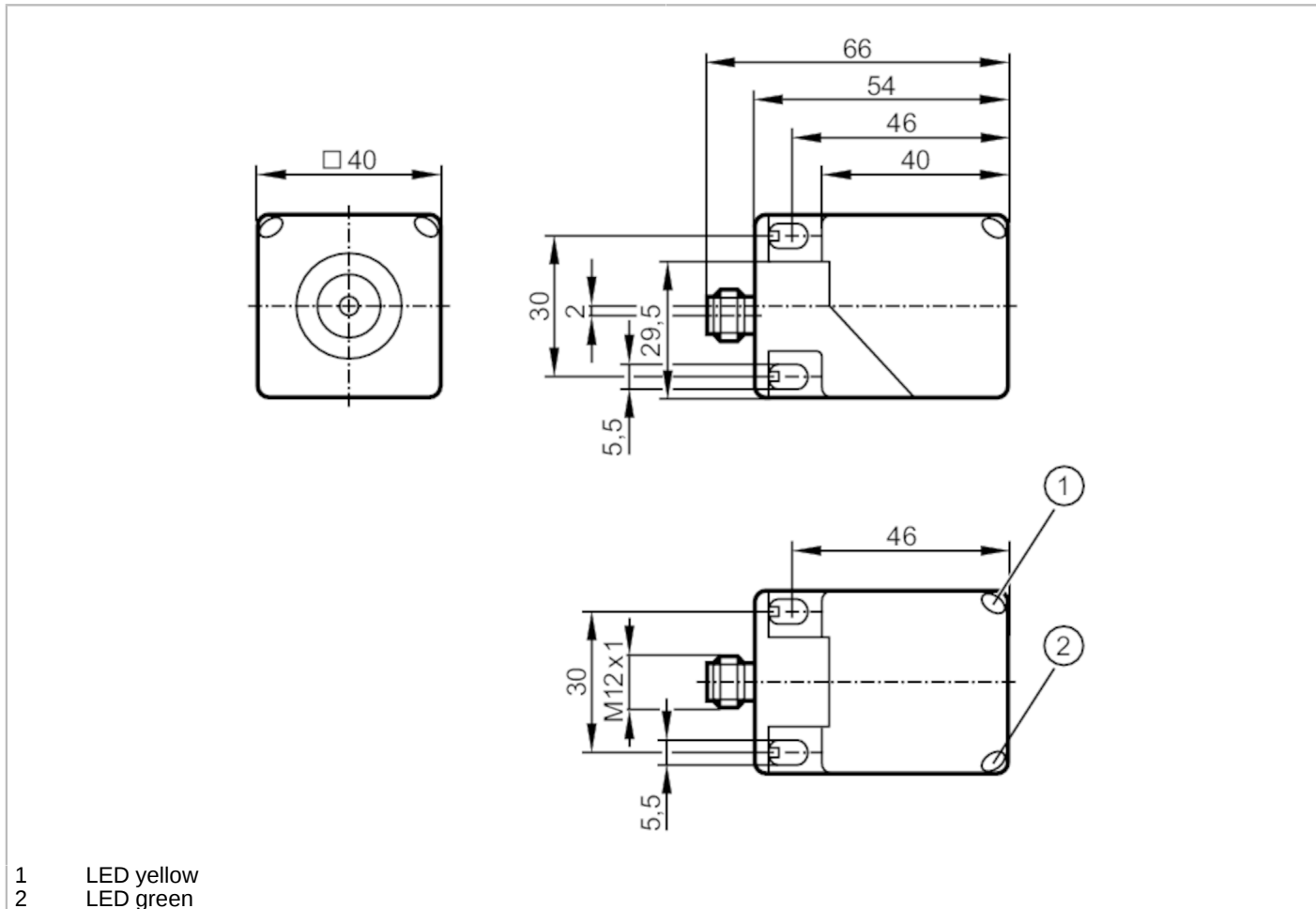


ANT512



RFID read/write head LF

DTRLF MCRWIDUS01



- 1 LED yellow
- 2 LED green




Application		
Application	detection of objects on transport equipment	
Radio approval for	USA; Canada; EU/RED; Australia; China; Taiwan; India; South Korea; Singapore; Malaysia; United Kingdom; New Zealand	
Note on radio approval	The list of countries applying the European Radio Equipment Directive 2014/53/EU (RED) can be found under "Downloads".	
Electrical data		
Operating voltage [V]	24 DC	
Current consumption [mA]	< 50	
Protection class	III	
Operating frequency [MHz]	0,125	
Detection zone		
Travel speed [m/s]	< 0.5	
Distance write/read head front [mm]	400	
Distance write/read head side [mm]	400	
Distance to the ID tag [mm]	read	≤ 60 (static)
	write	≤ 55 (static)
	reference tag	E80360

ANT512



RFID read/write head LF

DTRLF MCRWIDUS01

Interfaces		
Communication interface		DATA / DTE10x
Operating conditions		
Ambient temperature	[°C]	-20...60
Storage temperature	[°C]	-25...80
Protection		IP 67; IP 69K
Tests / approvals		
Shock resistance	EN 60068-2-29	40 g 6 ms
	EN 60068-2-27	50 g 11 ms
Vibration resistance	EN 60068-2-6	20 g 10...55 Hz
MTTF	[years]	536
Mechanical data		
Weight	[g]	185
Housing		rectangular
Sensing face		5 positions selectable
Dimensions	[mm]	40 x 40 x 54
Materials		housing: PA; metal parts: stainless steel
Displays / operating elements		
Display	operation	1 x LED, green
	tag communication	1 x LED, yellow
Remarks		
Remarks		For the distances to other ID tags see the respective data sheet (E803xx)
Pack quantity		1 pcs.
Electrical connection		
Connector: 1 x M12, rotatable, locking; coding: A		
		

ANT512



RFID read/write head LF

DTRLF MCRWIDUS01

Connection

