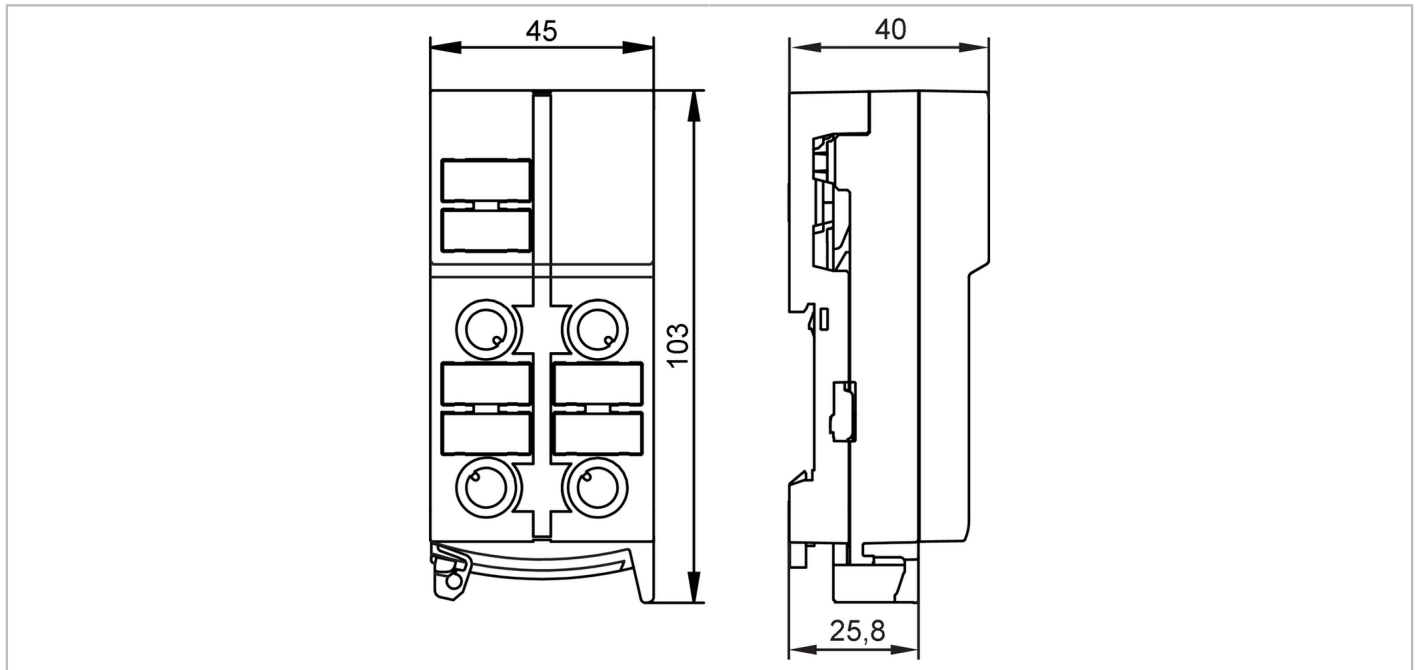


# AC5200



## AS-Interface ClassicLine module with quick mounting technology

ClassicLine 4SB IP67



| Application                           |  |
|---------------------------------------|--|
| Design                                | housing for DIN rail mounting  |
| Application                           | field installation   |
| Electrical data                       |  |
| Operating voltage [V]                 | 26.5...31.6 DC; ("supply class 2" to cULus)                                    |
| Max. current load per module/slot [A] | 2; (AS-i: 2; AUX: 2)   |
| Additional voltage supply [V]         | 15...30 DC; (AUX ; "supply class 2" to cULus)                                  |
| Operating conditions                  |  |
| Ambient temperature [°C]              | -25...70   |
| Protection                            | IP 67  |
| Tests / approvals                     |  |
| EMC                                   | EN 50295   |
|                                       | IEC 61000-6-2  |
| MTTF [years]                          | 10284  |
| Mechanical data                       |  |
| Weight [g]                            | 152.5  |
| Housing                               | rectangular  |
| Type of mounting                      | AS-i flat cables directly connectable; mounting on DIN rail; (TH35 (EN 60715)) |
| Materials                             | PA; piercing contacts: CuSn6 nickel-plated and tin-plated                      |
| Electrical connection                 |  |
| Module connection                     | Flat cables  |
| Accessories                           |  |
| Items supplied                        | lower part   |
| Accessories (optional)                | Protective cap: M12, E73004  |

# AC5200



## AS-Interface ClassicLine module with quick mounting technology

ClassicLine 4SB IP67

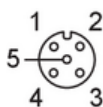
### Remarks

|               |        |
|---------------|--------|
| Pack quantity | 1 pcs. |
|---------------|--------|

### Electrical connection

quick mounting technology for AS-i flat cable: ; three orientations possible

Connector: M12; coding: A



|   |                    |
|---|--------------------|
| 1 | AS-i +             |
| 2 | external voltage - |
| 3 | AS-i -             |
| 4 | external voltage + |