

# AC1008



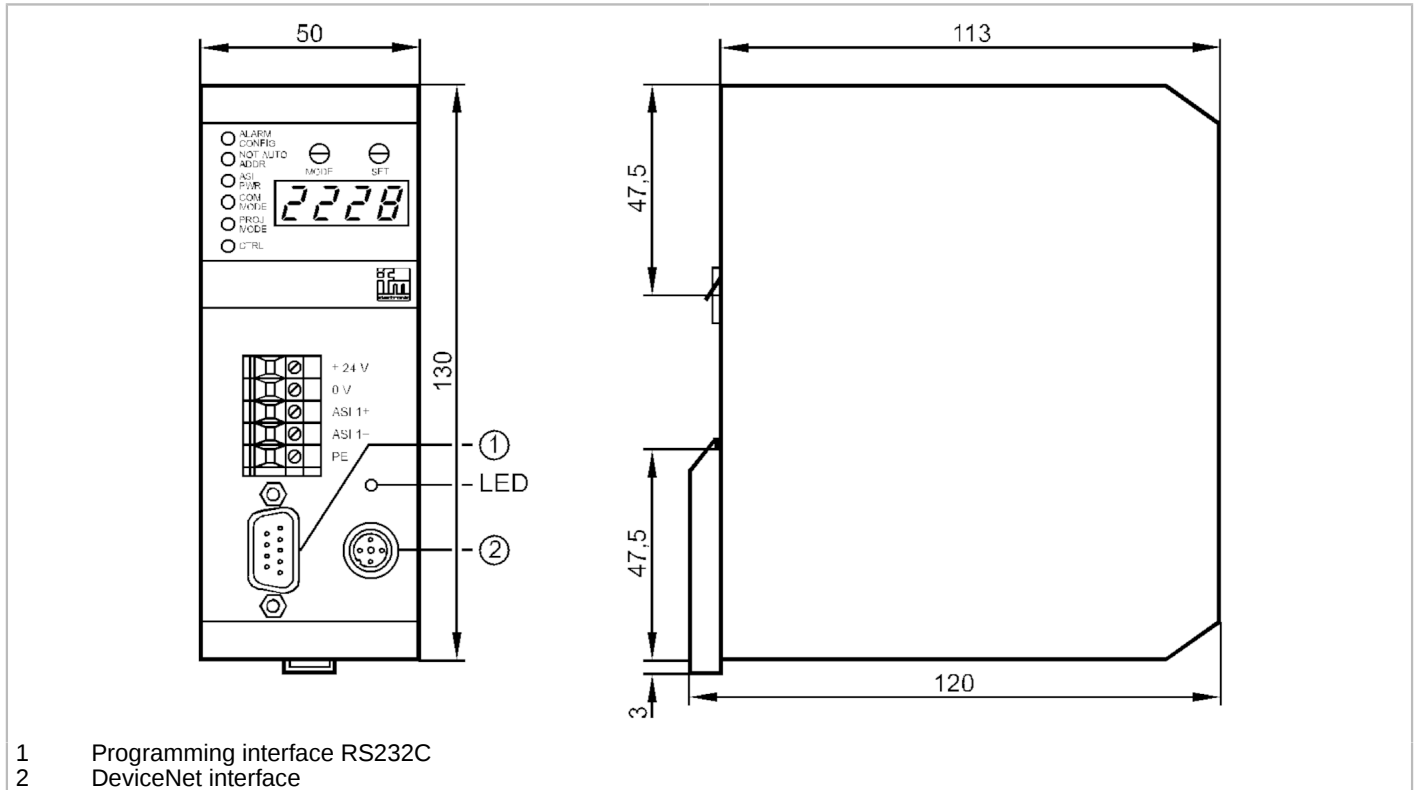
## AS-Interface DeviceNet gateway with PLC

CONTR/1MSTR/1RS232C/1DN

Article no longer available - archive entry

Alternative articles: AC1318

When selecting an alternative article and accessories please note that technical data may differ!



Application	
Design	housing for DIN rail mounting
Application	use as minicontroller and gateway
Electrical data	
Operating voltage [V]	22...30 DC; (24 DC ; to PELV)
Insulation rating [V]	500
Max. current consumption from AS-i [mA]	80
Max. power consumption [VA]	10
Electrical separation	yes
Outputs	
Electrical design	AS-i
Interfaces	
Communication interface	RS232
RS232	
Number of R232 interfaces	1
Transmission rate	4800...62400 Baud
Connector type	SUB-D

# AC1008



## AS-Interface DeviceNet gateway with PLC

CONTR/1MSTR/1RS232C/1DN

Usage type	programming
------------	-------------

### Operating conditions

Ambient temperature	[°C]	0...60
Storage temperature	[°C]	-20...70
Max. relative air humidity	[%]	95
Protection		IP 20

### AS-i classification

AS-i master profile	M1
AS-i certificate	22504

### Mechanical data

Housing	rectangular
Type of mounting	mounting on DIN rail; (TH35 (EN 60715))
Dimensions	[mm] 130 x 50 x 120
Materials	aluminium

### Displays / operating elements

Display	function check	2 x LED, red
		2 x LED, green
		2 x LED, yellow

### Remarks

Pack quantity	1 pcs.
---------------	--------

### Electrical connection

screw terminals: 5 x

### Connection

