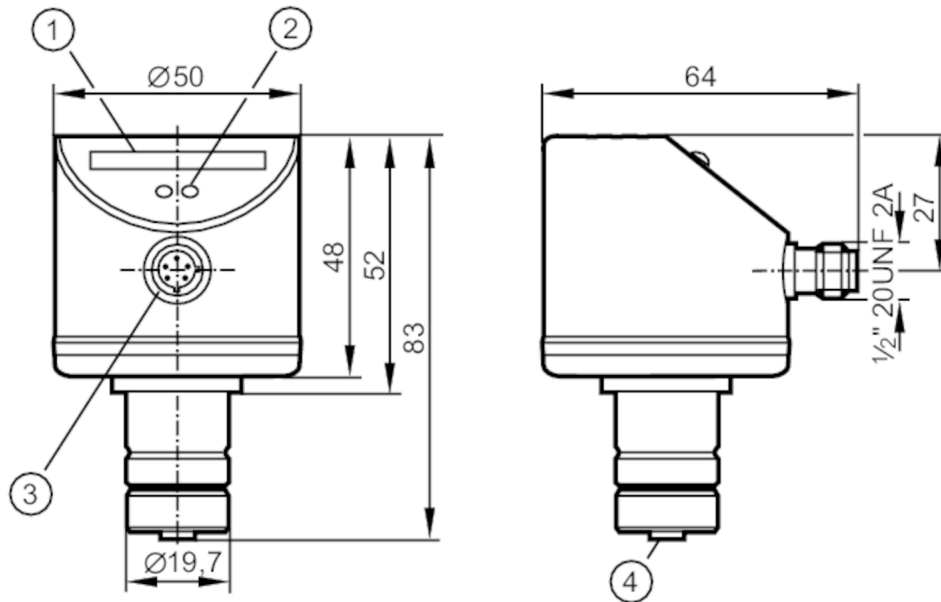


SR5906



Control monitor for flow sensors

SRM12XXAKOW/LS-100-IRF



- 1 LED bar display
- 2 setting pushbutton
- 3 connection for voltage supply and output signals
- 4 connection for flow sensor



Application	
Application	Flow monitoring; Wire monitoring
Electrical data	
Frequency AC [Hz]	47...63
Operating voltage tolerance [%]	-15...10
Operating voltage [V]	90...240 AC
Max. power consumption [VA]	3.5
Protection class	II
Reverse polarity protection	no
Power-on delay time [s]	10
Number of channels	1
Outputs	
Electrical design	relay
Contact rating	3 A (250 V AC / 30 V DC); (switching cycles at 3 A load: 100.000; type of switch-off: normally open)
Switching cycles (mechanical)	20_Millionen
Switching function flow monitoring	output switches when flow is present: ON for output function = normally open / OFF for output function = normally closed
Short-circuit protection	no
Overload protection	no

SR5906



Control monitor for flow sensors

SRM12XXAKOW/LS-100-IRF

Software / programming		
Adjustment of the switch point	pushbutton	
Operating conditions		
Ambient temperature [°C]	-20...60	
Protection	IP 67; (with sensor attached)	
Tests / approvals		
EMC	EN 61000-4-2 ESD	4 kV CD / 8 kV AD
	EN 61000-4-3 HF radiated	10 V/m
	EN 61000-4-4 Burst	2 kV
	EN 61000-4-6 HF conducted	10 V
Shock resistance	DIN IEC 68-2-27	30 g (6 ms)
Vibration resistance	DIN IEC 68-2-6	5 g (55...2000 Hz)
MTTF [years]	209	
Mechanical data		
Weight [g]	244.5	
Materials	stainless steel (1.4404 / 316L); stainless steel (1.4301 / 304); PC; PBT-GF20; EPDM/X; brass	
Displays / operating elements		
Display	function	LED, bar graph
	switching status	LED, orange flash in case of wire break
Electrical connection		
Required protection	miniature fuse to IEC60127-2 sheet 1; ≤ 5 A; fast acting	
Remarks		
Remarks	Connection for flow sensor without short-circuit protection / reverse polarity protection.	
	The flow sensor must be directly connected to the control monitor.	
	A connection by means of extension cables is not allowed.	
	Recommendation Check the safe functioning of the unit after a short circuit.	
Pack quantity	1 pcs.	
Electrical connection		
Connector: 1 x 1/2"		



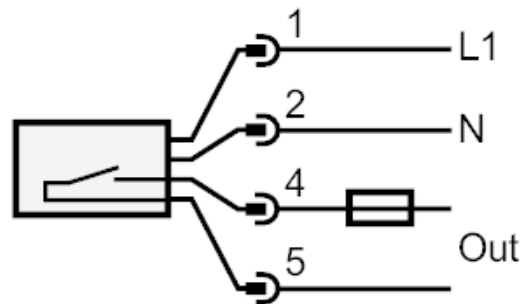
SR5906



Control monitor for flow sensors

SRM12XXAKOW/LS-100-IRF

Connection



n.c. = not used

Note miniature fuse to IEC60127-2 sheet 1 \leq 5 A fast acting

Caution no protective insulation between relay circuit and supply voltage