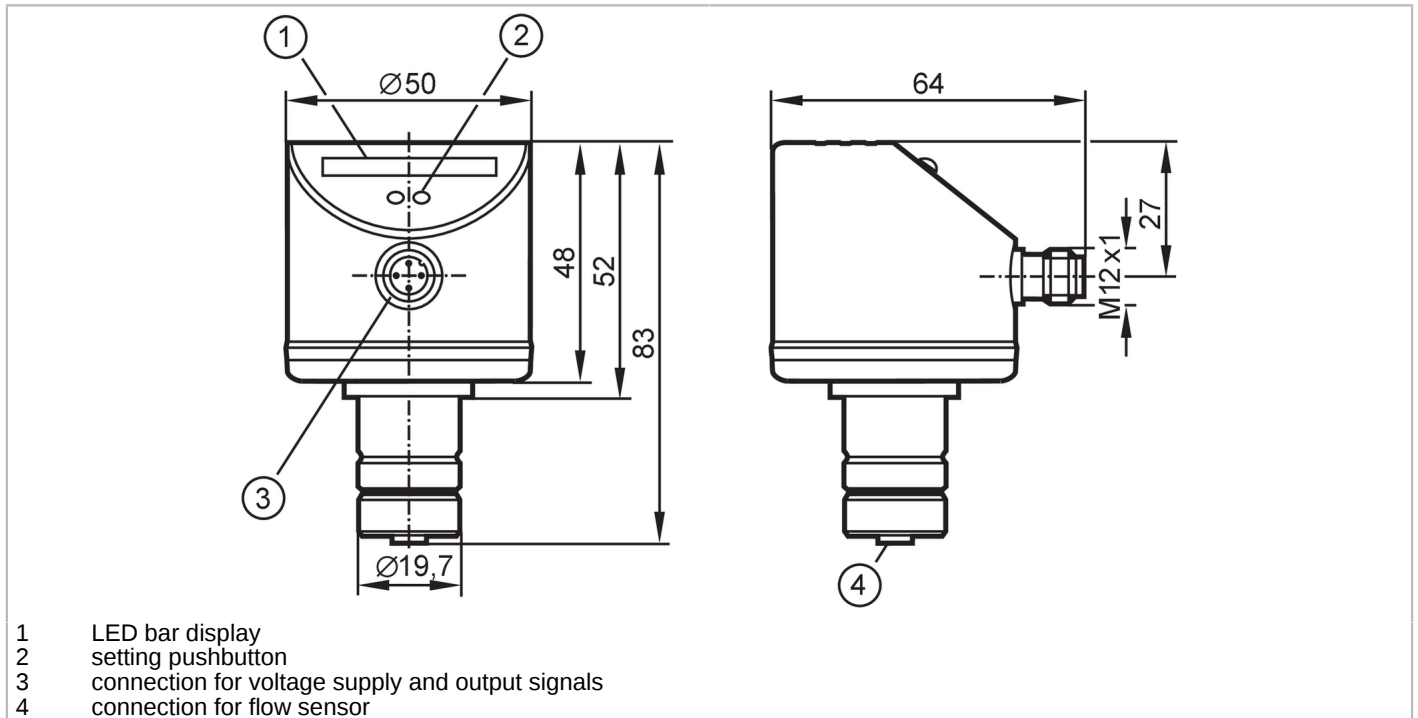


SR5900



Control monitor for flow sensors

SRM12XXBFPKG/



Application	
Application	Flow monitoring; Wire monitoring
Electrical data	
Operating voltage [V]	19...36 DC
Current consumption [mA]	< 70
Protection class	III
Reverse polarity protection	yes
Power-on delay time [s]	10
Number of channels	1
Outputs	
Electrical design	PNP
Max. voltage drop switching output DC [V]	2.5
Permanent current rating of switching output DC [mA]	250
Switching function flow monitoring	output switches when flow is present: ON for output function = normally open / OFF for output function = normally closed
Short-circuit protection	yes
Overload protection	yes
Software / programming	
Adjustment of the switch point	pushbutton
Operating conditions	
Ambient temperature [°C]	-20...60
Protection	IP 67; (with sensor attached)

SR5900



Control monitor for flow sensors

SRM12XXBFPKG/

Tests / approvals		
EMC	EN 61000-4-2 ESD	4 kV CD / 8 kV AD
	EN 61000-4-3 HF radiated	10 V/m
	EN 61000-4-4 Burst	2 kV
	EN 61000-4-6 HF conducted	10 V
Shock resistance	DIN IEC 68-2-27	30 g (6 ms)
Vibration resistance	DIN IEC 68-2-6	5 g (55...2000 Hz)
MTTF	[years]	342

Mechanical data	
Weight	[g] 225.5
Housing	cylindrical
Dimensions	[mm] Ø 50 / L = 83
Materials	stainless steel (316L/1.4404); stainless steel (304/1.4301); PC; PBT-GF20; EPDM/X; brass

Displays / operating elements		
Display	function	LED, bar graph
	switching status	LED, orange flash in case of wire break

Remarks	
Remarks	Connection for flow sensor without short-circuit protection / reverse polarity protection. The flow sensor must be directly connected to the control monitor. A connection by means of extension cables is not allowed.
Pack quantity	1 pcs.

Electrical connection

Connector: 1 x M12; coding: A



Connection

