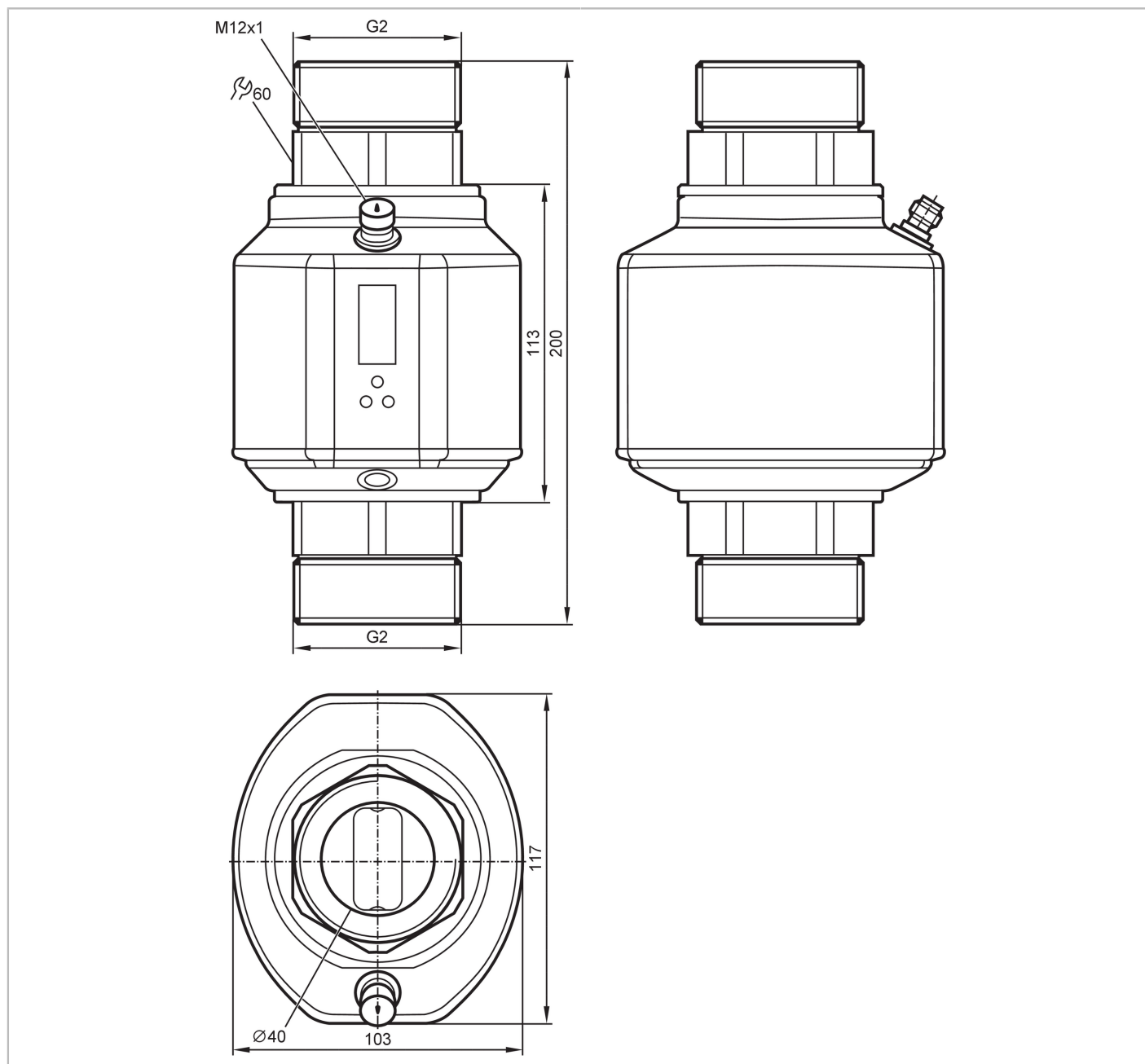


SM9001



Magnetic-inductive flow meter

SMR21XGXFRKG/US



Product characteristics	
Number of inputs and outputs	Number of digital outputs: 2; Number of analogue outputs: 1
Measuring range	80...4800 gph 1.3...80 gpm
Process connection	threaded connection G 2 external thread DN50 flat seal
Application	
Special feature	Gold-plated contacts
Application	totaliser function; empty pipe detection; for industrial applications
Installation	connection to pipe by means of an adapter
Media	conductive liquids; water; hydrous media

SM9001



Magnetic-inductive flow meter

SMR21XGXFRKG/US

Note on media	conductivity: $\geq 20 \mu\text{S/cm}$	
	viscosity: $< 70 \text{ mm}^2/\text{s}$ (40 °C)	
Medium temperature [°F]	14...176	
Pressure rating	16 bar	1.6 MPa
MAWP for applications according to CRN [bar]	16	

Electrical data

Operating voltage [V]	18...32 DC; (to SELV/PELV)	
Current consumption [mA]	< 150	
Protection class	III	
Reverse polarity protection	yes	
Power-on delay time [s]	5	

Inputs / outputs

Number of inputs and outputs	Number of digital outputs: 2; Number of analogue outputs: 1	
------------------------------	---	--

Inputs

Inputs	counter reset	
--------	---------------	--

Outputs

Total number of outputs	2	
Output signal	switching signal; analogue signal; pulse signal; frequency signal; IO-Link; (configurable)	
Electrical design	PNP/NPN	
Number of digital outputs	2	
Output function	normally open / normally closed; (parameterisable)	
Max. voltage drop switching output DC [V]	2	
Permanent current rating of switching output DC [mA]	250; (per output)	
Number of analogue outputs	1	
Analogue current output [mA]	4...20; (scalable)	
Max. load [Ω]	500	
Analogue voltage output [V]	0...10; (scalable)	
Min. load resistance [Ω]	2000	
Pulse output	flow rate meter	
Short-circuit protection	yes	
Type of short-circuit protection	pulsed	
Overload protection	yes	
Frequency of the output [Hz]	0.1...10000	

Measuring/setting range

Measuring range	80...4800 gph	1.3...80 gpm
Display range	-5760...5760 gph	-96...96 gpm
Resolution	5 gph	0.1 gpm
Set point SP	105...4800 gph	1.7...80 gpm
Reset point rP	80...4775 gph	1.3...79.6 gpm
Analogue start point ASP	0...3840 gph	0...64 gpm
Analogue end point AEP	960...4800 gph	16...80 gpm
Low flow cut-off LFC	$< 240 \text{ gph}$	$< 4 \text{ gpm}$

SM9001



Magnetic-inductive flow meter

SMR21XGXFRKG/US

In steps of	5 gph	0.1 gpm
Measuring dynamics	1:60	
Volumetric flow quantity monitoring		
Pulse value	0.02...80 E06 gal	
In steps of	0.02 gal	
Pulse length [s]	0,016...2	
Temperature monitoring		
Measuring range [°F]	-4...176	
Display range [°F]	-40...212	
Resolution [°F]	0.5	
Set point SP [°F]	-2...176	
Reset point rP [°F]	-3...175	
Analogue start point [°F]	-4...140	
Analogue end point [°F]	32...176	
In steps of [°F]	0.5	
Accuracy / deviations		
Flow monitoring		
Accuracy (in the measuring range)	± (0,8 % MW + 0,5 % MEW)	
Repeatability	± 0,2% MEW	
Temperature monitoring		
Temperature drift	± 0,0185 °F / K	
Accuracy [K]	± 1 (77 °F; Q > 4 gpm)	
Response times		
Flow monitoring		
Response time [s]	0.35; (dAP = 0)	
Delay time programmable dS, dr [s]	0...50	
Damping process value dAP [s]	0...5	
Temperature monitoring		
Dynamic response T05 / T09 [s]	T09 = 3 (Q > 4 gpm)	
Software / programming		
Parameter setting options	Flow monitoring; quantity meter; Preset counter; Temperature monitoring; hysteresis / window; normally open / normally closed; switching logic; current/voltage/frequency/pulse output; start-up delay; display can be deactivated; Display unit; empty pipe detection	
Interfaces		
Communication interface	IO-Link	
Transmission type	COM2 (38,4 kBaud)	
IO-Link revision	1.1	
SDCI standard	IEC 61131-9 CDV	
Profiles	Smart Sensor - SSP 0	Generic Profiled Sensor
	Function	Device identification
	Function	Process data variable
SIO mode	yes	

SM9001



Magnetic-inductive flow meter

SMR21XGXFRKG/US

Required master port type	A	
Process data analogue	3	
Process data binary	2	
Min. process cycle time [ms]	5	
Supported DeviceIDs	Type of operation default	DeviceID 392

Operating conditions		
Ambient temperature [°F]		14...140
Storage temperature [°F]		-13...176
Protection		IP 65; IP 67

Tests / approvals		
EMC	DIN EN 60947-5-9	
Shock resistance	DIN EN 60068-2-27	20 g (11 ms)
Vibration resistance	DIN EN 60068-2-6	5 g (10...2000 Hz)
MTTF [years]		85
UL approval	UL approval no.	I008
	File number UL	E174189
Pressure Equipment Directive	Sound engineering practice; can be used for group 2 fluids; group 1 fluids on request	

Mechanical data		
Weight [g]		3092
Housing		rectangular
Dimensions [mm]		200 x 103 x 117
Materials	stainless steel (316L/1.4404); stainless steel (316Ti/1.4571); PEI; FKM; PBT-GF20; TPE-U	
Materials (wetted parts)	stainless steel (316L/1.4404); stainless steel (316Ti/1.4571); PEEK; Centellen; FKM	
Process connection	threaded connection G 2 external thread DN50 flat seal	

Displays / operating elements		
Display	Display unit	6 x LED, green (gpm, gph, gal, °F, 10 ³ , 1000 x 10 ³)
	switching status	2 x LED, yellow
	measured values	alphanumeric display, 4-digit
	programming	alphanumeric display, 4-digit

Accessories		
Items supplied	sealings: 2, Centellen Label	

Remarks		
Remarks	MW = measured value MEW = Final value of the measuring range	
Pack quantity	1 pcs.	

Electrical connection

Connector: 1 x M12; coding: A; Contacts: 4, gold-plated



SM9001



Magnetic-inductive flow meter

SMR21XGXFRKG/US

Connection



OUT1:	colours to DIN EN 60947-5-2 switching output empty pipe detection switching output volumetric flow quantity monitoring frequency output volumetric flow quantity monitoring Pulse output quantity meter signal output Preset counter IO-Link
OUT2:	switching output empty pipe detection switching output volumetric flow quantity monitoring switching output Temperature monitoring analogue output volumetric flow quantity monitoring analogue output Temperature monitoring input counter reset Core colours :
BK =	black
BN =	brown
BU =	blue
WH =	white

SM9001

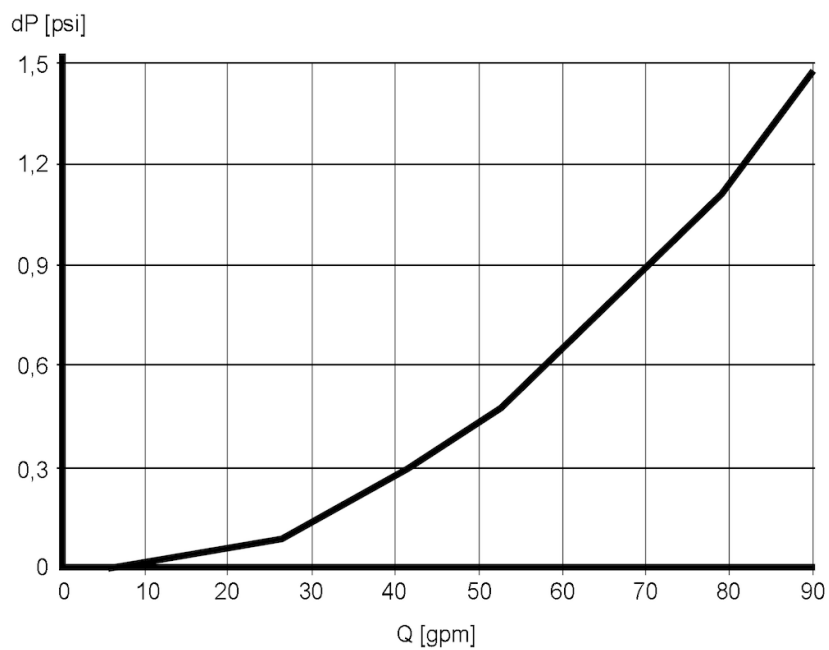


Magnetic-inductive flow meter

SMR21XGXFRKG/US

Diagrams and graphs

Pressure loss



dP Pressure loss

Q volumetric flow quantity