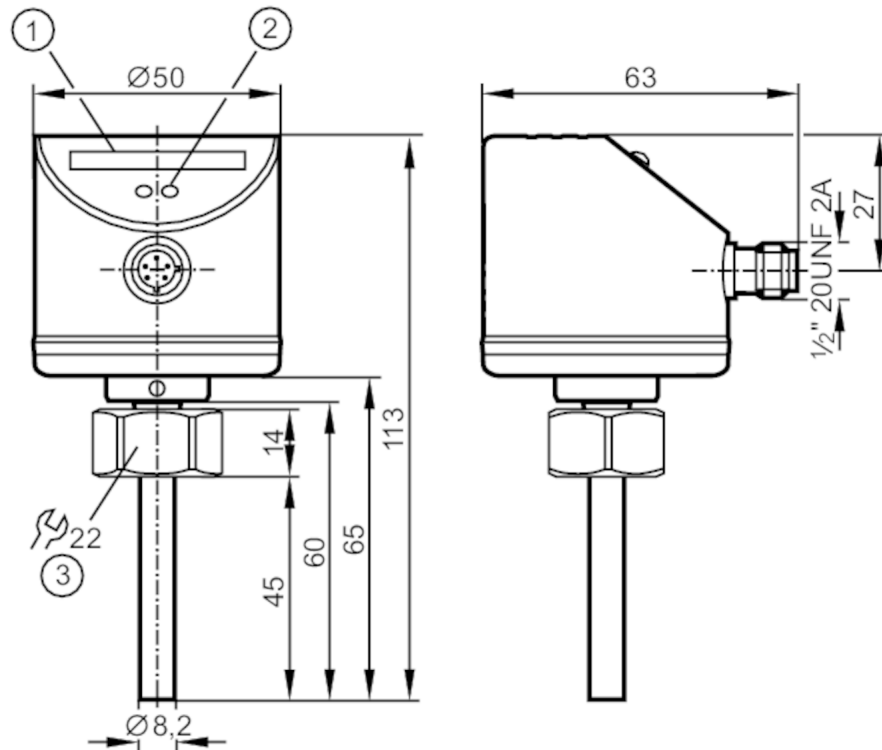


SI5006



Flow monitor

SID10ADBFKOW/LS-100-IRF



- 1 LED bar display
- 2 setting pushbutton
- 3 Tightening torque 25 Nm



Product characteristics

Number of inputs and outputs	Number of digital outputs: 1
Process connection	threaded connection M18 x 1,5 internal thread

Application

Media	Liquids; Gases	
Medium temperature [°C]	-25...80	
Pressure rating	300 bar	30 MPa
MAWP for applications according to CRN [bar]	208	

Liquids		
Medium temperature [°C]	-25...80	

Gases		
Medium temperature [°C]	-25...80	

Electrical data

Frequency AC [Hz]	47...63	
Operating voltage tolerance [%]	-15...10	
Operating voltage [V]	90...240 AC	
Max. power consumption [VA]	3.5	
Protection class	II	

SI5006



Flow monitor

SID10ADBFKOW/LS-100-IRF

Reverse polarity protection		no
Power-on delay time	[s]	10
Inputs / outputs		
Number of inputs and outputs		Number of digital outputs: 1
Outputs		
Total number of outputs		1
Output signal		switching signal
Electrical design		relay
Number of digital outputs		1
Output function		normally open / normally closed; (parameterisable)
Contact rating		3 A (250 V AC / 30 V DC); (number of switching cycles: 20 million mechanically; switching cycles at 3 A load: 100,000 electrical; type of switch-off: normally open)
Short-circuit proof		no
Overload protection		no
Measuring/setting range		
Probe length L	[mm]	45
Liquids		
Setting range	[cm/s]	3...300
Greatest sensitivity	[cm/s]	3...100
Gases		
Setting range	[cm/s]	200...3000
Greatest sensitivity	[cm/s]	200...800
Accuracy / deviations		
Repeatability	[% of Sr]	1...5
Note on repeatability		for water 5...100 cm/s; 25 °C Factory setting
Temperature drift	[cm/s x 1/K]	0.1; (for water 5...100 cm/s; 10...70 °C)
Temperature gradient	[K/min]	300
Switch point accuracy	[cm/s]	± 2...± 10; (for water 5...100 cm/s; 25 °C; Factory setting)
Hysteresis	[cm/s]	2...5; (for water 5...100 cm/s; 25 °C; Factory setting)
Response times		
Response time	[s]	1...10
Liquids		
Response time	[s]	1...10
Gases		
Response time	[s]	1...10
Software / programming		
Adjustment of the switch point		pushbutton
Operating conditions		
Ambient temperature	[°C]	-25...80
Storage temperature	[°C]	-25...100
Protection		IP 67

SI5006



Flow monitor

SID10ADBFKOW/LS-100-IRF

Tests / approvals		
EMC	DIN EN 61000-6-2	
	DIN EN 61000-6-3	
Shock resistance	DIN EN 60068-2-27	50 g (11 ms)
Vibration resistance	DIN EN 60068-2-6	18 g (55...2000 Hz)
MTTF	[years]	221

Mechanical data		
Weight	[g]	262.5
Housing		cylindrical
Dimensions	[mm]	Ø 50 / L = 113
Materials		stainless steel (316L/1.4404); stainless steel (304/1.4301); PC; PBT-GF20; EPDM/X
Materials (wetted parts)		stainless steel (316L/1.4404); O-ring: FKM 80 Shore A
Process connection		threaded connection M18 x 1,5 internal thread
Probe diameter	[mm]	8.2
Installation length EL	[mm]	45

Displays / operating elements		
Display	function	10 x LED, three-colour

Electrical connection	
Required protection	miniature fuse to IEC60127-2 sheet 1; ≤ 5 A; fast acting

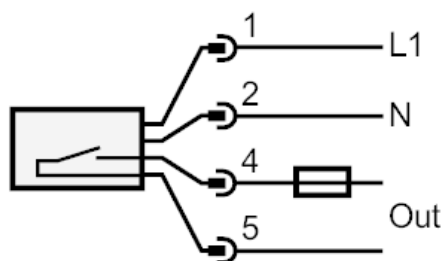
Remarks	
Remarks	Recommendation Check the safe functioning of the unit after a short circuit.
Pack quantity	1 pcs.

Electrical connection

Connector: 1 x 1/2"; coding: C



Connection



Note miniature fuse to IEC60127-2 sheet 1 ≤ 5 A fast acting