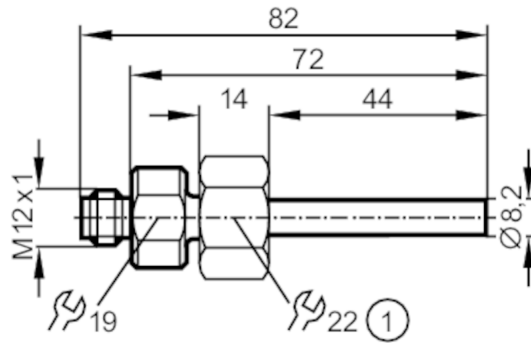


SF5200



Flow sensor for connection to an evaluation unit

SFD10ADB /JS-100



1 internal thread M18 x 1,5



Product characteristics		
Process connection	threaded connection M18 x 1,5 internal thread	
Application		
Application	high-temperature range	
Media	Liquids; Gases	
Medium temperature [°C]	-25...80	
Pressure rating	300 bar	30 MPa
Electrical data		
Connection to control monitor	VS3000	
Measuring/setting range		
Liquids		
Setting range [cm/s]	3...300	
Greatest sensitivity [cm/s]	3...60	
Gases		
Setting range [cm/s]	200...3000	
Greatest sensitivity [cm/s]	200...800	
Accuracy / deviations		
Temperature gradient [K/min]	300	
Response times		
Response time [s]	1...10	
Operating conditions		
Protection	IP 67	
Tests / approvals		
Shock resistance	DIN IEC 68-2-27	40 g (11 ms)
Vibration resistance	DIN IEC 68-2-6	10 g (55...2000 Hz)
MTTF [years]	8213	
Mechanical data		
Weight [g]	88.5	

SF5200



Flow sensor for connection to an evaluation unit

SFD10ADB /JS-100

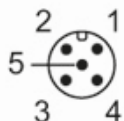
Housing		cylindrical
Dimensions	[mm]	M18 x 1.5 / L = 82
Thread designation		M18 x 1.5
Materials		stainless steel (316L/1.4404)
Materials (wetted parts)		stainless steel (316L/1.4404); O-ring: FKM 80 Shore A
Process connection		threaded connection M18 x 1,5 internal thread
Probe diameter	[mm]	8.2
Installation length EL	[mm]	44

Remarks

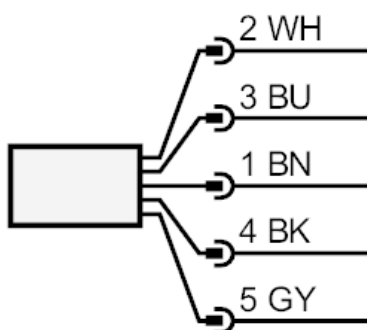
Pack quantity 1 pcs.

Electrical connection

Connector: 1 x M12; coding: A; Maximum cable length: 100 m



Connection



Core colours :
BN = brown
BU = blue
BK = black
WH = white
GY = grey