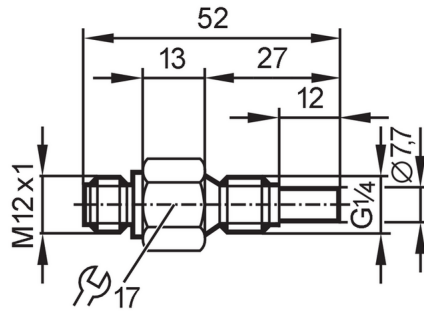


SF220A



Flow sensor for connection to an evaluation unit

SFR14ABB/US/2G




| Product characteristics | |
|-------------------------------|---|
| Probe length L | [mm] 12 |
| Process connection | threaded connection G 1/4 external thread |
| Application | |
| Media | Liquids; Gases |
| Medium temperature | [°C] -20...70 |
| Pressure rating | 30 bar 3 MPa |
| Liquids | |
| Medium temperature | [°C] -20...70 |
| Gases | |
| Medium temperature | [°C] -20...70 |
| Electrical data | |
| Connection to control monitor | VS2000 Exi (PTB 01 ATEX 2075) |
| Measuring/setting range | |
| Probe length L | [mm] 12 |
| Liquids | |
| Setting range | [cm/s] 3...300 |
| Greatest sensitivity | [cm/s] 3...60 |
| Gases | |
| Setting range | [cm/s] 200...2000 |
| Greatest sensitivity | [cm/s] 200...800 |
| Accuracy / deviations | |
| Temperature gradient | [K/min] 15 |
| Response times | |
| Response time | [s] 1...10 |
| Liquids | |
| Response time | [s] 1...10 |
| Gases | |
| Response time | [s] 1...10 |
| Operating conditions | |
| Ambient temperature | [°C] -20...70 |
| Protection | IP 67 |

SF220A



Flow sensor for connection to an evaluation unit

SFR14ABB/US/2G

| Tests / approvals | |
|----------------------|---|
| Approval | DMT 03 ATEX E091; IECEx BVS 06.0007 |
| ATEX marking |  II 2G Ex ia IIC T4 Gb |
| Shock resistance | DIN IEC 68-2-27 40 g (11 ms) |
| Vibration resistance | DIN IEC 68-2-6 10 g (55...2000 Hz) |
| MTTF [years] | 8648 |

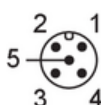
| Safety classification | |
|-------------------------------------|-----|
| Max. internal capacitance [nF] | 0.4 |
| Max. internal inductance [μ H] | 2 |
| Temperature class | T4 |

| Mechanical data | |
|-----------------------------|---|
| Weight [g] | 113 |
| Housing | cylindrical |
| Materials | stainless steel (316L/1.4404) |
| Materials (wetted parts) | stainless steel (316L/1.4404) |
| Process connection | threaded connection G 1/4 external thread |
| Probe diameter [mm] | 7.7 |
| Installation length EL [mm] | 27 |

| Remarks | |
|---------------|---|
| Remarks | In principle, the type test according to 94/9/EC (ATEX) only takes atmospheric conditions into account (0.8...1.1 bar). For pressures outside this range use must be assessed and approved by the user. Adhere to the operating instructions and the type test certificate. |
| Pack quantity | 1 pcs. |

Electrical connection

Connector: 1 x M12; coding: A; Maximum cable length: 100 m



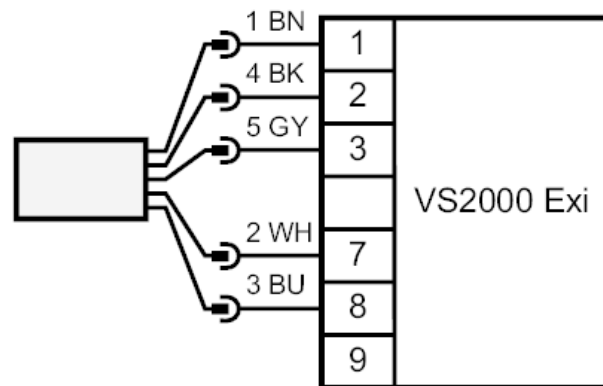
SF220A



Flow sensor for connection to an evaluation unit

SFR14ABB/US/2G

Connection



Core colours :
BN = brown
BU = blue
BK = black
WH = white
GY = grey