

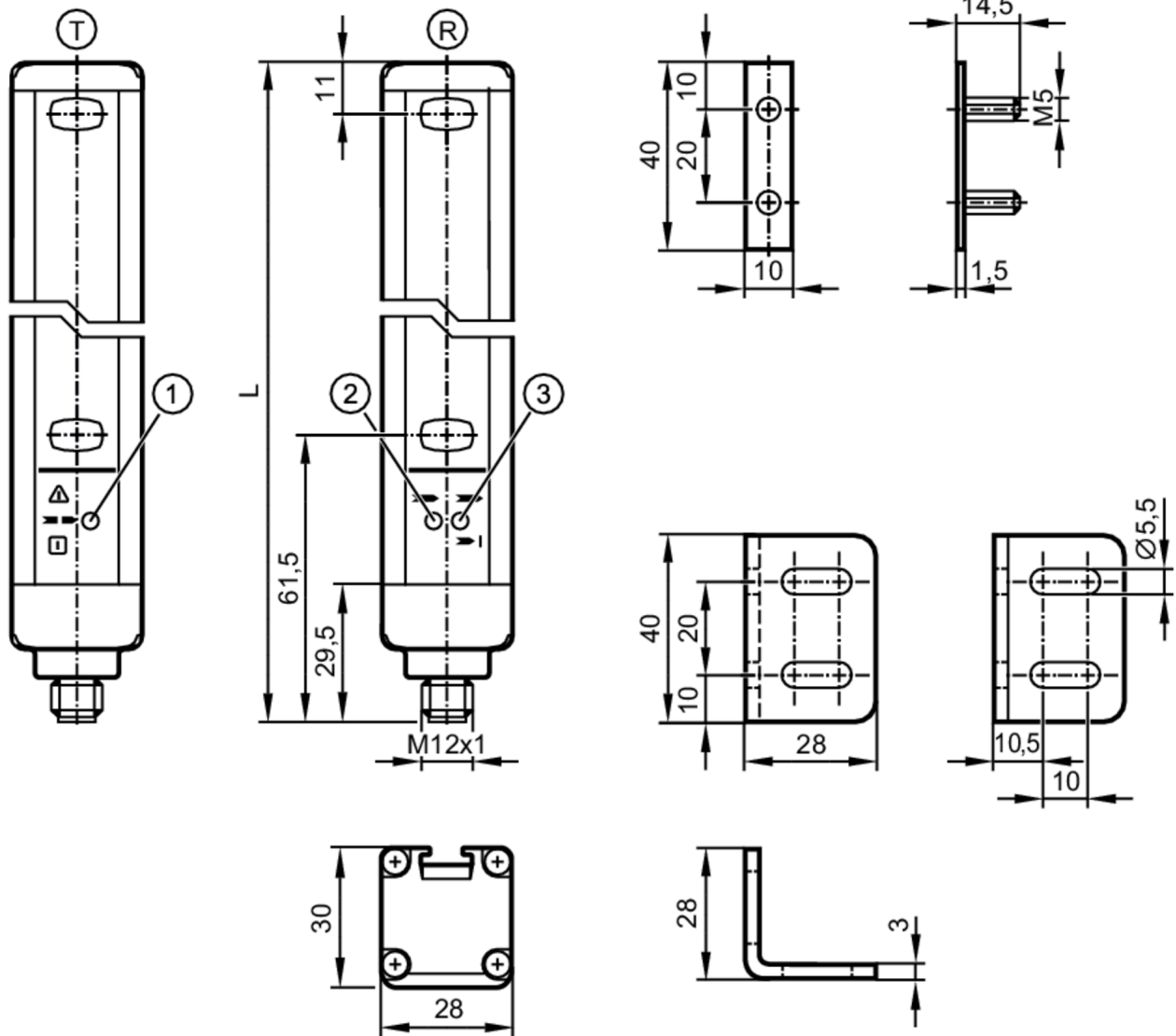
# OY034S



## Safety light curtain

OYA0610-30-2-12-P-1

For 8-pole sockets the core colours are not standardised.  
Please note the wiring of the sensor and the sockets (see data sheet).



- T transmitter
- R receiver
- 1 LED three-colour red / green / orange
- 2 LED yellow
- 3 LED 2-colour red/green



### Product characteristics

Type of light	infrared light
Electrical design	PNP
Protection	IP 65; IP 67

### Application

Protective function	access prevention hand protection
---------------------	-----------------------------------



## Safety light curtain

OYA0610-30-2-12-P-1

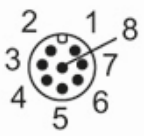
Electrical data		
Operating voltage tolerance	[%]	20
Operating voltage	[V]	24 DC
Protection class		III
Reverse polarity protection		yes
Power-on delay time	[s]	< 2
Type of light		infrared light
Wave length	[nm]	950
Receiver		
Current consumption	[mA]	83
Transmitter		
Current consumption	[mA]	42
Outputs		
Electrical design		PNP
Number of OSSD outputs		2
Max. current load per OSSD output	[mA]	400; (24 V)
Short-circuit protection		yes
Detection zone		
Protected area height	[mm]	610
Resolution (detection capacity d)	[mm]	30
Protection area width (low light intensity)	[m]	0...4
Protection area width (high light intensity)	[m]	3...12
Response times		
Response time	[ms]	9.5
Operating conditions		
Applications		class C to EN 60654-1 weatherproof application
Ambient temperature	[°C]	-10...55
Storage temperature	[°C]	-20...70
Max. relative air humidity	[%]	95
Protection		IP 65; IP 67
Tests / approvals		
EMC		IEC 61496-1
Shock resistance		IEC 61496-1
Vibration resistance		IEC 61496-1
Safety classification		
ESPE type (IEC 61496-1)		2
Complies with the requirements		ISO 13849-1: 2015 category 2, PL c IEC 62061 SIL 1
Mission time TM	[h]	175200
PFH	[1/h]	3,9E-08

# OY034S



## Safety light curtain

OYA0610-30-2-12-P-1

Mechanical data		
Weight	[g]	2355
Dimensions	[mm]	663 x 28 x 30
Materials		housing: aluminium; front lens: PC
Length L	[mm]	663
Displays / operating elements		
Display	transmitter	1 x LED
	receiver	2 x LED
Accessories		
Items supplied		mounting bracket: 4
		slot nuts: 4
		Nuts
Remarks		
Pack quantity		1 pcs.
Electrical connection - receiver		
Connector: 1 x M12; coding: A; Maximum cable length: 100 m; for wire cross-section 0.34 mm <sup>2</sup>		
		

# OY034S



## Safety light curtain

OYA0610-30-2-12-P-1

### Connection



### Electrical connection - transmitter

Connector: 1 x M12; coding: A



# OY034S



## Safety light curtain

OYA0610-30-2-12-P-1

### Connection

