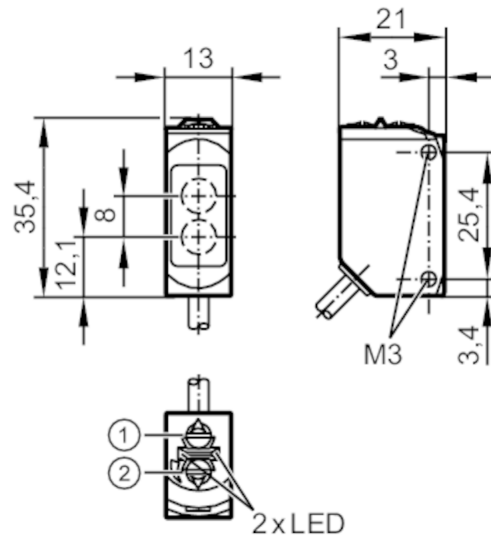




## Retro-reflective sensor

O6P-FNKG



- 1: output function switch  
 2: potentiometer sensitivity receiver in upper lens transmitter in lower lens



### Product characteristics

Type of light	red light
Housing	rectangular

### Application

Special feature	polarisation filter
Function principle	Retro-reflective sensor

### Electrical data

Operating voltage	[V]	10...30 DC
Current consumption	[mA]	12; ((24 V))
Protection class		III
Reverse polarity protection		yes
Type of light		red light
Wave length	[nm]	633

### Outputs

Electrical design		NPN
Output function		light-on/dark-on mode; (selectable)
Max. voltage drop switching output DC	[V]	2.5
Permanent current rating of switching output DC	[mA]	100
Switching frequency DC	[Hz]	1000
Short-circuit protection		yes
Type of short-circuit protection		pulsed

# O6P204



## Retro-reflective sensor

O6P-FNKG

Detection zone		
Range referred to prismatic reflector [m]	0.05...5; (Prismatic reflector Ø 80 E20005)	
Range adjustable	yes	
Max. light spot diameter [mm]	150	
Light spot dimensions refer to	at maximum range	
Polarisation filter available	yes	
Operating conditions		
Ambient temperature [°C]	-25...60	
Storage temperature [°C]	-40...70	
Max. relative air humidity [%]	50; (70° C)	
Protection	IP 65; IP 67	
Tests / approvals		
EMC	EN 60947-5-2	
MTTF [years]	683	
UL approval	UL Approval no.	E008
Mechanical data		
Weight [g]	59.7	
Housing	rectangular	
Dimensions [mm]	35.4 x 13 x 21	
Materials	housing: ABS; PPSU; Sealing: EPDM	
Lens material	PMMA	
Lens alignment	side lens	
Tightening torque [Nm]	0.5	
Displays / operating elements		
Display	switching status	1 x LED, yellow
	operation	1 x LED, green
Remarks		
Remarks	operating voltage "supply class 2" according to cULus	
Pack quantity	1 pcs.	

# O6P204



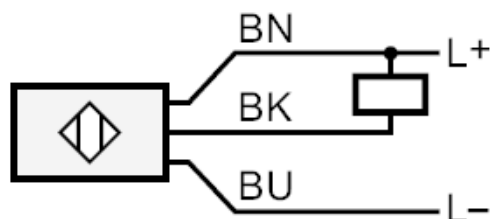
## Retro-reflective sensor

O6P-FNKG

### Electrical connection

Cable: 2 m, PUR; 3 x 0.25 mm<sup>2</sup>

### Connection

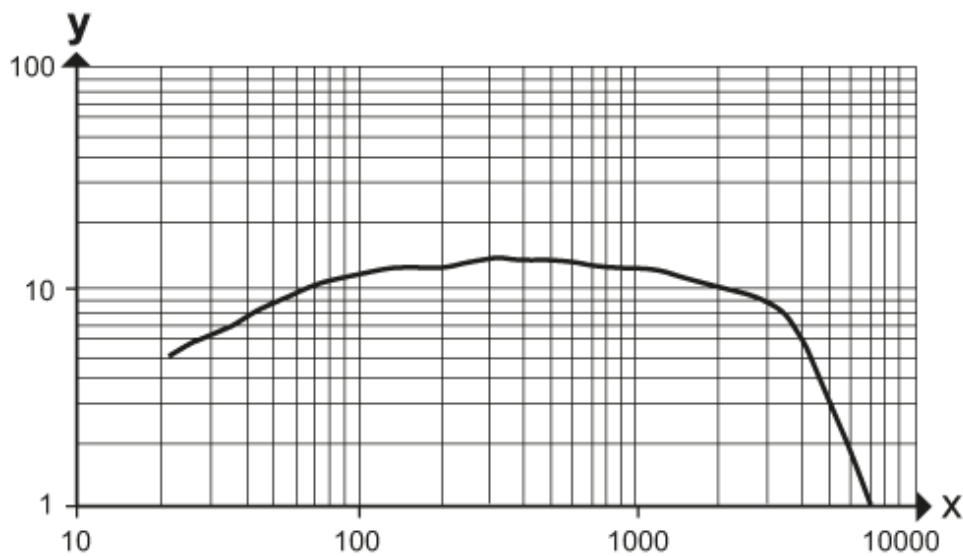


Core colours :

BN = brown  
BK = black  
BU = blue

### Diagrams and graphs

excess gain graph



x: distance [mm]

y: excess gain factor