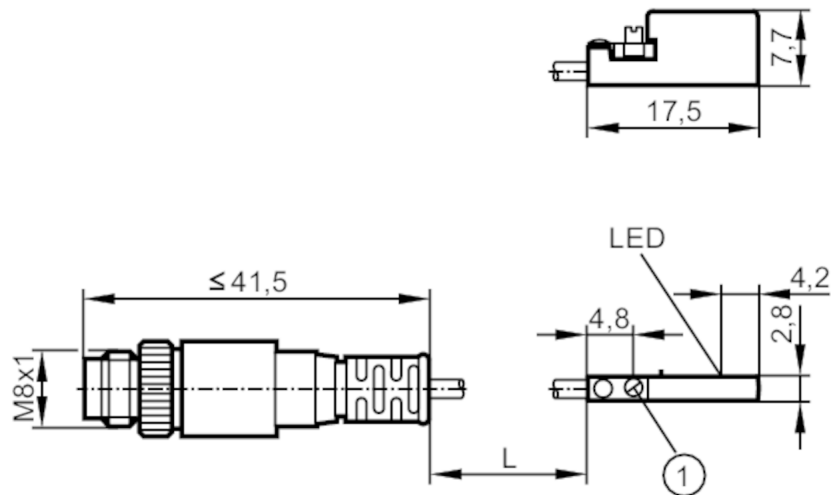


MK5331



C-slot cylinder sensor

MKC3020-BPKG/A/0,3M/ZH/ASR



1 fastening clamp



Product characteristics

Electrical design	PNP
Output function	normally open
Dimensions [mm]	17.5 x 2.8 x 7.7

Electrical data

Operating voltage [V]	10...30 DC
Current consumption [mA]	< 10
Protection class	III
Reverse polarity protection	yes
Max. power-on delay time [ms]	30

Outputs

Electrical design	PNP
Output function	normally open
Max. voltage drop switching output DC [V]	2.5
Permanent current rating of switching output DC [mA]	100
Switching frequency DC [Hz]	5000
Short-circuit protection	yes
Type of short-circuit protection	pulsed
Overload protection	yes

Detection zone

Response sensitivity [mT]	2
Travel speed [m/s]	> 10

Accuracy / deviations


Hysteresis [mm]	1
Repeatability [mm]	< 0.2

MK5331



C-slot cylinder sensor

MKC3020-BPKG/A/0,3M/ZH/ASR

Operating conditions		
Ambient temperature	[°C]	-25...85
Protection		IP 65; IP 67
Tests / approvals		
EMC	EN 61000-4-2 ESD	- CD / 8 kV AD
	EN 61000-4-3 HF radiated	10 V/m
	EN 61000-4-4 Burst	2 kV
	EN 61000-4-6 HF conducted	10 V
	EN 55011	class B
MTTF	[years]	2064
UL approval	Ta	-25...75 °C
	Enclosure type	Type 1
	power supply	Limited Voltage/Current
	UL Approval no.	C008
	File number UL	E174191
Mechanical data		
Weight	[g]	12.2
Mounting		non-flush mountable
Cylinder type		C-slot cylinders
Dimensions	[mm]	17.5 x 2.8 x 7.7
Materials		housing: PA; fastening clamp: stainless steel
Tightening torque	[Nm]	< 0.24
Displays / operating elements		
Display	switching status	1 x LED, yellow
Remarks		
Pack quantity		1 pcs.
Electrical connection - plug		
Cable: 0.3 m, PUR		
Connector: 1 x M8; coding: A; Locking: knurled nut, rotatable		
		

MK5331



C-slot cylinder sensor

MKC3020-BPKG/A/0,3M/ZH/ASR

Connection

