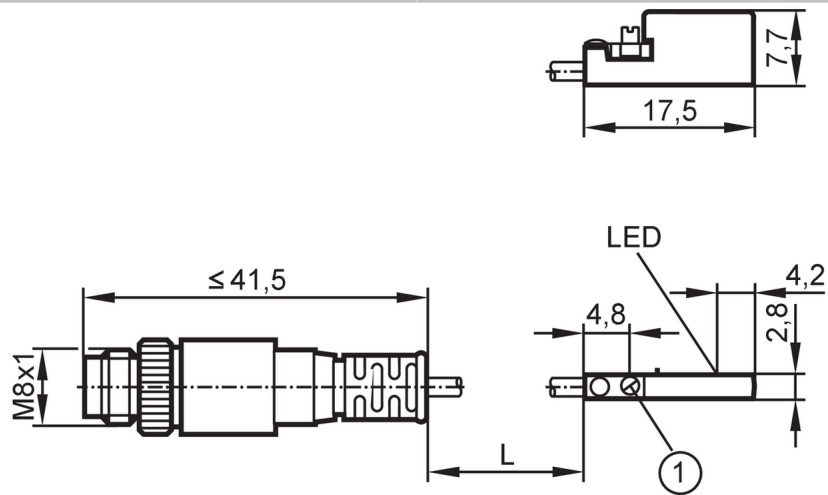


MK5331



C-slot cylinder sensor

MKC3020-BPKG/A/0,3M/ZH/ASR



1 fastening clamp



Product characteristics

Electrical design		PNP
Output function		normally open
Dimensions	[mm]	17.5 x 2.8 x 7.7

Electrical data

Operating voltage	[V]	10...30 DC
Current consumption	[mA]	< 10
Protection class		III
Reverse polarity protection		yes
Max. power-on delay time	[ms]	30

Outputs

Electrical design		PNP
Output function		normally open
Max. voltage drop switching output DC	[V]	2.5
Permanent current rating of switching output DC	[mA]	100
Switching frequency DC	[Hz]	5000
Short-circuit protection		yes
Type of short-circuit protection		pulsed
Overload protection		yes

Detection zone

Response sensitivity	[mT]	2
Travel speed	[m/s]	> 10

Accuracy / deviations

Hysteresis	[mm]	1
Repeatability	[mm]	< 0.2

MK5331



C-slot cylinder sensor

MKC3020-BPKG/A/0,3M/ZH/ASR

Operating conditions

Ambient temperature	[°C]	-25...85
Protection		IP 65; IP 67

Tests / approvals

EMC	EN 61000-4-2 ESD	- CD / 8 kV AD
	EN 61000-4-3 HF radiated	10 V/m
	EN 61000-4-4 Burst	2 kV
	EN 61000-4-6 HF conducted	10 V
	EN 55011	class B
MTTF	[years]	2064
UL approval	Ta	-25...75 °C
	Enclosure type	Type 1
	power supply	Limited Voltage/Current
	UL approval no.	C008
	File number UL	E174191

Mechanical data

Weight	[g]	12.2
Mounting		non-flush mountable
Cylinder type		C-slot cylinders
Dimensions	[mm]	17.5 x 2.8 x 7.7
Materials		housing: PA; fastening clamp: stainless steel
Tightening torque	[Nm]	< 0.24

Displays / operating elements

Display	switching status	1 x LED, yellow
---------	------------------	-----------------

Remarks

Pack quantity		1 pcs.
---------------	--	--------

Electrical connection - plug

Cable: 0.3 m, PUR

Connector: 1 x M8; coding: A; Locking: knurled nut, rotatable



Connection

