

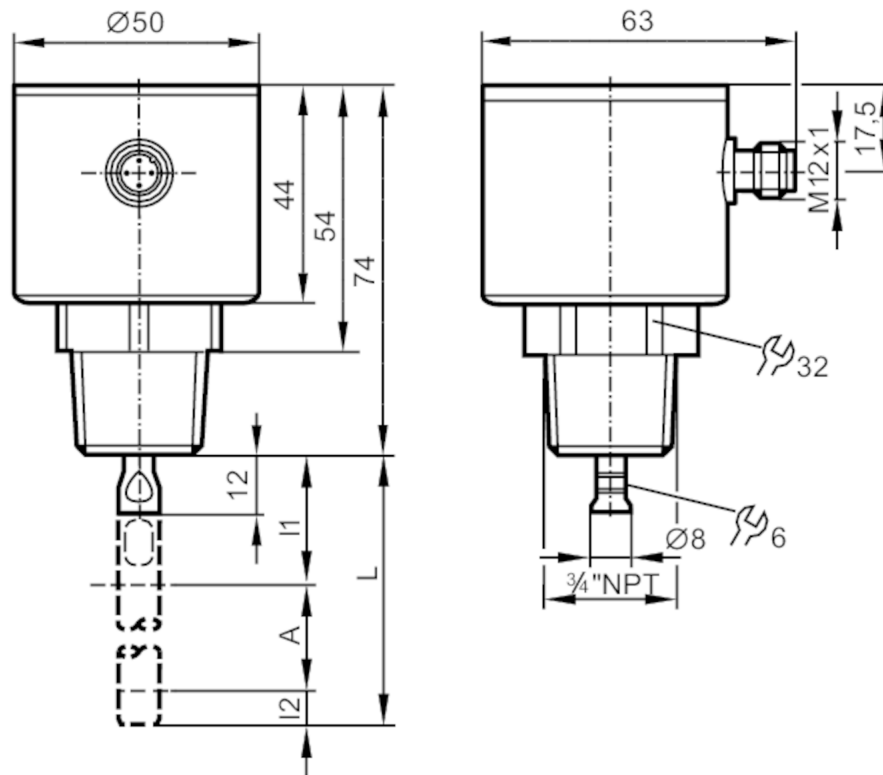
LR3320



Continuous level sensor (guided wave radar)

LR0000--BN34AMDKG/US

For high process temperatures: The temperature at the process connection is decisive. The actual medium temperature may be higher.



A active range
I1 / I2 inactive ranges



Product characteristics

Number of inputs and outputs	Number of digital outputs: 1; Number of analogue outputs: 1
Probe length L [mm]	100...2000
Process connection	threaded connection 3/4" NPT external thread

Application

Special feature	Gold-plated contacts
Application	for industrial applications
Media	Liquids
Dielectric constant of the medium	> 5
Recommended media	water; hydrous media
Process temperature [°C]	-25...80; (90 < 1 h ; see note under remarks)
Pressure rating [bar]	16
Vacuum resistance [mbar]	-1000

Electrical data

Operating voltage [V]	18...30 DC
Current consumption [mA]	< 25



Continuous level sensor (guided wave radar)

LR0000--BN34AMDKG/US

Protection class	III
Reverse polarity protection	yes
Power-on delay time [s]	< 3
Measuring principle	guided wave radar

Inputs / outputs

Number of inputs and outputs	Number of digital outputs: 1; Number of analogue outputs: 1
------------------------------	---

Outputs

Total number of outputs	2
Output signal	switching signal; analogue signal; IO-Link
Electrical design	PNP/NPN
Number of digital outputs	1
Output function	normally open / normally closed; (parameterisable)
Max. voltage drop switching output DC [V]	2.5
Permanent current rating of switching output DC [mA]	200
Number of analogue outputs	1
Analogue current output [mA]	4...20, invertible
Max. load [Ω]	500
Analogue voltage output [V]	0...10, invertible
Min. load resistance [Ω]	2000
Short-circuit protection	yes
Type of short-circuit protection	pulsed
Overload protection	yes

Measuring/setting range

Probe length L [mm]	100...2000
Active range A [mm]	L-40
Inactive range I1 / I2 [mm]	30 / 10
Sampling rate [Hz]	4

Setting range

Set point SP [mm]	15...L-30
Reset point rP [mm]	10... L-35
In steps of [mm]	5
Hysteresis [mm]	> 5

Accuracy / deviations

Repeatability [mm]	5
Measuring error [mm]	± 7
Offset error [mm]	5
Resolution [mm]	1
Zero signal (voltage) [V]	0
Zero signal (current) [mA]	4.0
Full signal (voltage) [V]	10
Full signal (current) [mA]	20

LR3320



Continuous level sensor (guided wave radar)

LR0000--BN34AMDKG/US

Temperature drift per 10 K	± 0.2 %	
Interfaces		
Communication interface	IO-Link	
Transmission type	COM2 (38,4 kBaud)	
IO-Link revision	1.1	
SDCI standard	IEC 61131-9	
Profiles	Smart Sensor: Process Data Variable; Device Identification, Device Diagnosis	
SIO mode	yes	
Required master port type	A	
Process data analogue	3	
Process data binary	1	
Min. process cycle time [ms]	3.2	
Supported DeviceIDs	Type of operation	DeviceID
	default	592
Operating conditions		
Ambient temperature [°C]	-25...60	
Storage temperature [°C]	-40...85	
Protection	IP 68; IP 69K; (7 days / 1 m water depth / 0.1 bar: IP 68)	
Tests / approvals		
EMC	DIN EN 61000-6-2	
	DIN EN 61000-6-3	: in a closed metal tank
	DIN EN 61000-6-4	: in plastic or open metal tanks
Shock resistance	DIN EN 60068-2-27	50 g (11 ms) / 25 g (6 ms) with reference rod 0.5 m
Vibration resistance	DIN EN 60068-2-6	5 g (10...2000 Hz) / 1 g (5...200 Hz) with reference rod 0.5 m
MTTF [years]	241	
UL approval	UL Approval no.	H012
	File number UL	E174191
Mechanical data		
Weight [g]	448.2	
Materials	stainless steel (304/1.4301); stainless steel (316L/1.4404); FKM; PEI	
Materials (wetted parts)	stainless steel (303/1.4305); probe connection: stainless steel (316L/1.4435); PTFE; FKM	
Process connection	threaded connection 3/4" NPT external thread	
Remarks		
Notes	For high process temperatures: The temperature at the process connection is decisive. The actual medium temperature may be higher.	
Pack quantity	1 pcs.	

LR3320



Continuous level sensor (guided wave radar)

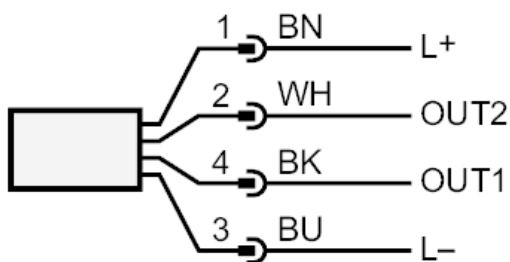
LR0000--BN34AMDKG/US

Electrical connection - plug

Connector: 1 x M12; coding: A; Contacts: gold-plated



Connection



OUT1: switching output or IO-Link
OUT2: analogue output
colours to DIN EN 60947-5-2

Core colours :

BK = black
BN = brown
BU = blue
WH = white

LR3320



Continuous level sensor (guided wave radar)

LR0000--BN34AMDKG/US

Diagrams and graphs

Measurement deviation D at the limits of the active rod range

