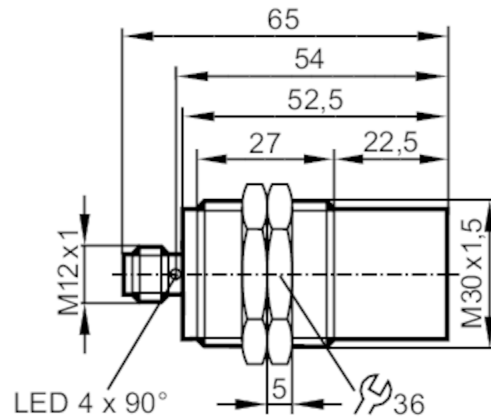




## Inductive full-metal sensor

IIK3025-BPKG/AM/P/US



### Product characteristics

Electrical design		PNP
Output function		normally open
Sensing range	[mm]	25
Housing		threaded type
Dimensions	[mm]	M30 x 1.5 / L = 65

### Application

Special feature		Gold-plated contacts; Increased sensing range; Full-metal housing
Application		constant cleaning with aggressive cleaning agents; regular cleaning processes
Pressure rating	[bar]	100
Pressure rating	[MPa]	10
Note on pressure rating		sensing face

### Electrical data

Operating voltage	[V]	10...30 DC
Current consumption	[mA]	< 25
Protection class		III
Reverse polarity protection		yes

### Outputs

Electrical design		PNP
Output function		normally open
Max. voltage drop switching output DC	[V]	2.5
Permanent current rating of switching output DC	[mA]	100
Switching frequency DC	[Hz]	100
Short-circuit protection		yes
Overload protection		yes

### Detection zone

Sensing range	[mm]	25
Real sensing range Sr	[mm]	25 ± 10 %

# IIT231



## Inductive full-metal sensor

IIK3025-BPKG/AM/P/US

Operating distance	[mm]	0...20.3
Increased sensing range		yes
<b>Accuracy / deviations</b>		
Correction factor		steel: 1 / stainless steel: 1 / brass: 0.9 / aluminium: 0.6 / copper: 0.5
Hysteresis	[% of Sr]	1...20
Switch point drift	[% of Sr]	-10...10
<b>Operating conditions</b>		
Ambient temperature	[°C]	0...100
Protection		IP 65; IP 67; IP 68; IP 69K
<b>Tests / approvals</b>		
EMC	EN 61000-4-2 ESD	4 kV CD / 8 kV AD
	EN 61000-4-3 HF radiated	10 V/m
	EN 61000-4-4 Burst	2 kV
	EN 61000-4-6 HF conducted	10 V
	EN 55011 emission	class B
Impact resistance	EN 60068-2-75 Ehc	1 J
MTTF	[years]	1262
Embedded software included		yes
UL approval	Ta	0...70 °C
	Enclosure type	Type 1
	power supply	Limited Voltage/Current
	UL Approval no.	A012
File number UL		E174191
<b>Mechanical data</b>		
Weight	[g]	165.043
Housing		threaded type
Mounting		non-flush mountable
Dimensions	[mm]	M30 x 1.5 / L = 65
Thread designation		M30 x 1.5
Materials		housing: stainless steel (316L/1.4404); sensing face: stainless steel (316L/1.4404); lock nuts: stainless steel (316L/1.4404)
Tightening torque	[Nm]	80
Full-metal housing		yes
<b>Displays / operating elements</b>		
Display	switching status	4 x 90° LED, yellow
<b>Accessories</b>		
Items supplied		lock nuts: 2
<b>Remarks</b>		
Pack quantity		1 pcs.

# IIT231

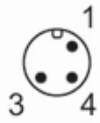


## Inductive full-metal sensor

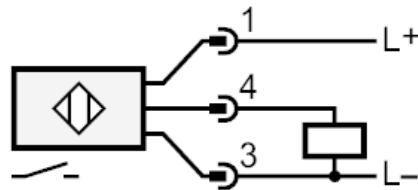
IIK3025-BPKG/AM/P/US

### Electrical connection - plug

Connector: 1 x M12; coding: A; Contacts: gold-plated



### Connection



### Diagrams and graphs

