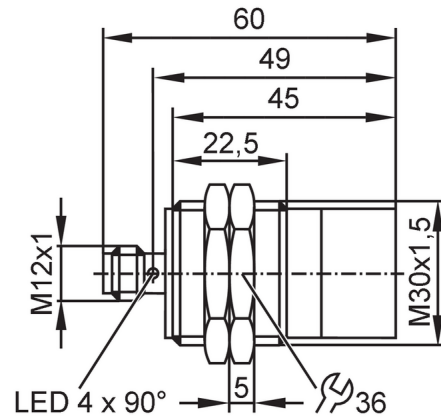




## Inductive sensor

IHK3030-BPKG/K1/V4A/US-104



| Product characteristics                              |   |
|--|---|
| Electrical design                                    | PNP   |
| Output function                                      | normally open   |
| Sensing range [mm]                                   | 30  |
| Housing  | threaded type   |
| Dimensions [mm]                                      | M30 x 1.5 / L = 60  |
| Application  |   |
| Special feature                                      | Gold-plated contacts; Increased sensing range; Correction factor K = 1; Magnetic-field immune   |
| Application  | material handling; refrigerated warehouse / shock freezing; Suitable for industrial, mobile, cooling and lubricating applications; Industrial applications / factory automation |
| Magnetic-field immune                                | yes   |
| Max. magnetic field immunity [mT]                    | 300   |
| Electrical data                                      |   |
| Operating voltage [V]                                | 10...30 DC  |
| Current consumption [mA]                             | < 20  |
| Protection class                                     | III   |
| Reverse polarity protection                          | yes   |
| Outputs  |   |
| Electrical design                                    | PNP   |
| Output function                                      | normally open   |
| Max. voltage drop switching output DC [V]            | 2.5   |
| Permanent current rating of switching output DC [mA] | 100   |
| Switching frequency DC [Hz]                          | 2000  |
| Short-circuit protection                             | yes   |
| Overload protection                                  | yes   |
| Detection zone                                       |   |
| Sensing range [mm]                                   | 30  |
| Real sensing range Sr [mm]                           | 30 ± 10 %   |

# IIS284



## Inductive sensor

IIK3030-BPKG/K1/V4A/US-104

|                         |      |          |
|-------------------------|------|----------|
| Operating distance      | [mm] | 0...24.3 |
| Increased sensing range |      | yes      |

### Accuracy / deviations

|                         |           |   |
|-------------------------|-----------|---|
| Correction factor       |           | steel: 1 / stainless steel: 1 / brass: 1 / aluminium: 1 / copper: 1 |
| Hysteresis              | [% of Sr] | 3...15  |
| Switch point drift      | [% of Sr] | -10...10  |
| Correction factor K = 1 |           | yes   |

### Operating conditions

|                     |      |                                    |
|---------------------|------|------------------------------------|
| Ambient temperature | [°C] | -40...85                           |
| Protection          |      | IP 65; IP 66; IP 67; IP 68; IP 69K |

### Tests / approvals

|                             |                           |  |
|-----------------------------|---------------------------|--|
| EMC                         | EN 61000-4-2 ESD          | 4 kV CD / 8 kV AD  |
|                             | EN 61000-4-3 HF radiated  | 10 V/m   |
|                             | EN 61000-4-4 Burst        | 2 kV   |
|                             | EN 61000-4-6 HF conducted | 10 V   |
|                             | EN 55011                  | class B  |
| Vibration resistance        | EN 60068-2-6 Fc           | 20 g (10...3000 Hz) / 50 sweep cycles, 1 octave per minute, in 3 axes            |
| Shock resistance            | EN 60068-2-27 Ea          | 100 g 11 ms half-sine; 3 shocks each in every direction of the 3 coordinate axes |
| Continuous shock resistance | EN 60068-2-27             | 40 g 6 ms; 4000 shocks each in every direction of the 3 coordinate axes          |
| Fast temperature change     | EN 60068-2-14 Na          | TA = -40 °C; TB = 85 °C; t1 = 30 min; t2 = < 10 s; 50 cycles                     |
| Salt spray test             | EN 60068-2-52 Kb          | severity level 5 (4 test cycles)   |
| MTTF                        | [years]                   | 475  |
| Embedded software included  |                           | yes  |
| UL approval                 | Ta                        | -25...70 °C  |
|                             | Enclosure type            | Type 1   |
|                             | voltage supply            | Limited Voltage/Current  |
|                             | UL approval no.           | A005   |
|                             | File number UL            | E174191  |

### Mechanical data

|                    |      |   |
|--------------------|------|---|
| Weight             | [g]  | 77.3  |
| Housing            |      | threaded type   |
| Mounting           |      | non-flush mountable   |
| Dimensions         | [mm] | M30 x 1.5 / L = 60  |
| Thread designation |      | M30 x 1.5   |
| Materials          |      | stainless steel (316L/1.4404); sensing face: LCP white; LED window: PEI; lock nuts: stainless steel (316L/1.4404) |

### Displays / operating elements

|         |                  |                 |
|---------|------------------|-----------------|
| Display | switching status | 4 x LED, yellow |
|---------|------------------|-----------------|

### Accessories

|                |  |              |
|----------------|--|--------------|
| Items supplied |  | lock nuts: 2 |
|----------------|--|--------------|

### Remarks

|               |  |        |
|---------------|--|--------|
| Pack quantity |  | 1 pcs. |
|---------------|--|--------|

# IIS284

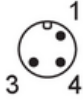


## Inductive sensor

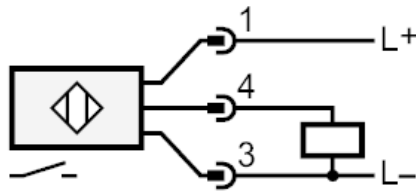
IIK3030-BPKG/K1/V4A/US-104

### Electrical connection - plug

Connector: 1 x M12; coding: A; Contacts: 3, gold-plated



### Connection



### Diagrams and graphs

#### Installation

