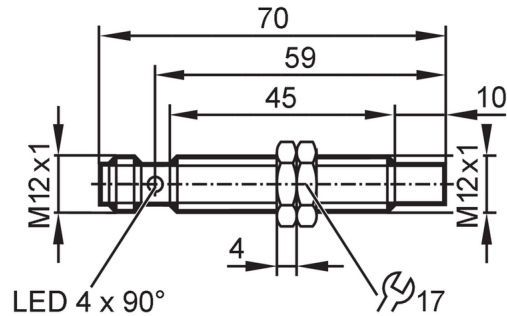


IFT246



Inductive full-metal sensor

IFK3006-ANKG/AM/PI/US-104



Product characteristics

Electrical design		NPN
Output function		normally open
Sensing range	[mm]	6
Housing		threaded type
Dimensions	[mm]	M12 x 1 / L = 70

Application

Special feature	Gold-plated contacts; Increased sensing range; Full-metal housing	
Application	Use in hygienic areas / regular cleaning processes	
Pressure rating	100 bar	10 MPa
Note on pressure rating	sensing face	

Electrical data

Operating voltage	[V]	10...30 DC
Current consumption	[mA]	< 25
Protection class		III
Reverse polarity protection		yes

Outputs

Electrical design		NPN
Output function		normally open
Max. voltage drop switching output DC	[V]	2.5
Permanent current rating of switching output DC	[mA]	100
Switching frequency DC	[Hz]	250
Short-circuit protection		yes
Overload protection		yes

Detection zone

Sensing range	[mm]	6
Real sensing range Sr	[mm]	6 ± 10 %
Operating distance	[mm]	0...4.9
Increased sensing range		yes

Accuracy / deviations

Correction factor	steel: 1 / stainless steel: 1 / brass: 0.9 / aluminium: 0.8 / copper: 0.6	
-------------------	---	--

IFT246



Inductive full-metal sensor

IFK3006-ANKG/AM/PI/US-104

Hysteresis	[% of Sr]	1...20
Switch point drift	[% of Sr]	-10...10

Operating conditions

Ambient temperature	[°C]	0...100
Protection		IP 65; IP 67; IP 68; IP 69K

Tests / approvals

EMC	EN 61000-4-2 ESD	4 kV CD / 8 kV AD
	EN 61000-4-3 HF radiated	10 V/m
	EN 61000-4-4 Burst	2 kV
	EN 61000-4-6 HF conducted	10 V
	EN 55011 emission	class B
Impact resistance	EN 60068-2-75 Ehc	1 J
MTTF	[years]	1265
UL approval	Ta	0...70 °C
	Enclosure type	Type 1
	voltage supply	Limited Voltage/Current
	UL approval no.	A012
	File number UL	E174191

Mechanical data

Weight	[g]	29.7
Housing		threaded type
Mounting		non-flush mountable
Dimensions	[mm]	M12 x 1 / L = 70
Thread designation		M12 x 1
Materials		housing: stainless steel (316L/1.4404); sensing face: stainless steel (316L/1.4404); lock nuts: stainless steel (316L/1.4404)
Tightening torque	[Nm]	15
Full-metal housing		yes

Displays / operating elements

Display	switching status	4 x 90° LED, yellow
---------	------------------	---------------------

Accessories

Items supplied		lock nuts: 2
----------------	--	--------------

Remarks

Pack quantity		1 pcs.
---------------	--	--------

Electrical connection - plug

Connector: 1 x M12; coding: A; Contacts: 3, gold-plated



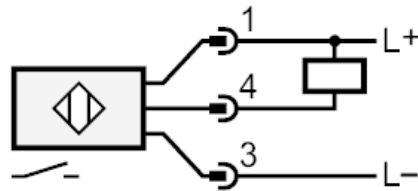
IFT246



Inductive full-metal sensor

IFK3006-ANKG/AM/PIUS-104

Connection



Diagrams and graphs

