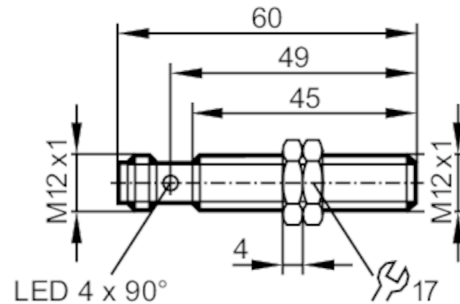


Inductive full-metal sensor

IFK3004BFRKG/AM/IO/US-104



Product characteristics

Electrical design	PNP/NPN; (parameterisable)
Output function	normally open / normally closed; (parameterisable)
Communication interface	IO-Link
Housing	threaded type
Dimensions [mm]	M12 x 1 / L = 60

Application

Application	Use in machine tools, coolants and lubricants
Pressure rating [bar]	100
Note on pressure rating	sensing face

Electrical data

Operating voltage [V]	10...30 DC
Current consumption [mA]	< 15
Protection class	III
Reverse polarity protection	yes

Outputs

Electrical design	PNP/NPN; (parameterisable)
Output function	normally open / normally closed; (parameterisable)
Max. voltage drop switching output DC [V]	2.5
Permanent current rating of switching output DC [mA]	100
Switching frequency DC [Hz]	100
Short-circuit protection	yes
Overload protection	yes

Detection zone

Switch point IO-Link [mm]	0.7...3.51; (parameterisable)
Measuring range IO-Link [mm]	0.375...3.75



Inductive full-metal sensor

IFK3004BFRKG/AM/IO/US-104

Accuracy / deviations		
Correction factor		steel: 1 / stainless steel: 0.7 / brass: 0.8 / aluminium: 0.6 / copper: 0.3
Hysteresis	[% of Sr]	3...15
Linearity error IO-Link	[%]	± 2; (of the final value of the measuring range)
Repeatability IO-Link	[%]	± 1; (of the final value of the measuring range)
Temperature coefficient		± 0,3 %/K; (of the final value of the measuring range)
Interfaces		
Communication interface		IO-Link
Transmission type		COM2 (38,4 kBaud)
IO-Link revision		1.1
SDCI standard		IEC 61131-9
IO-Link device ID		1090 d / 00 04 42 h
Profiles		Smart Sensor: Identification and diagnosis; Multi-channel, two setpoint switching sensor, type 0 Generic Profiled Sensor; Teach Channel
SIO mode		yes
Required master port type		A
Min. process cycle time	[ms]	3.2
Operating conditions		
Ambient temperature	[°C]	-40...85
Protection		IP 65; IP 66; IP 67; IP 68; IP 69K
Tests / approvals		
EMC	EN 61000-4-2 ESD	4 kV CD / 8 kV AD
	EN 61000-4-3 HF radiated	10 V/m
	EN 61000-4-4 Burst	2 kV
	EN 61000-4-6 HF conducted	10 V
	EN 55011	class B
Impact resistance		1 J
Vibration resistance	EN 60068-2-6 Fc	20 g (10...3000 Hz) / 50 sweep cycles per frequency; 1 octave per minute in 3 axes
Shock resistance	EN 60068-2-27 Ea	100 g 11 ms half-sine; 3 shocks each in every direction of the 3 coordinate axes
Continuous shock resistance	EN 60068-2-27	40 g 6 ms; 4000 shocks each in every direction of the 3 coordinate axes
Fast temperature changes	EN 60068-2-14 Na	TA = -40°C; TB = 85°C; t1 = 30 min; t2 = < 10 s 50 cycles
Salt spray test	EN 60068-2-52 Kb	severity level 5 (4 test cycles)
MTTF	[years]	635
UL approval	Ta	-25...70 °C
	Enclosure type	Type 1
	voltage supply	Limited Voltage/Current
	UL Approval no.	A008
	File number UL	E174191

IFC277



Inductive full-metal sensor

IFK3004BFRKG/AM/IO/US-104

Mechanical data		
Weight	[g]	29.4
Housing		threaded type
Mounting		flush mountable
Dimensions	[mm]	M12 x 1 / L = 60
Thread designation		M12 x 1
Materials		stainless steel (1.4404 / 316L); sensing face: stainless steel (1.4404 / 316L); LED window: PEI; lock nuts: brass white bronze coated
Tightening torque	[Nm]	15
Length	[mm]	60
Displays / operating elements		
Display	switching status	4 x LED, yellow
Accessories		
Accessories (supplied)		lock nuts: 2
Remarks		
Pack quantity		1 pcs.

Electrical connection

Connector: 1 x M12



Connection

