

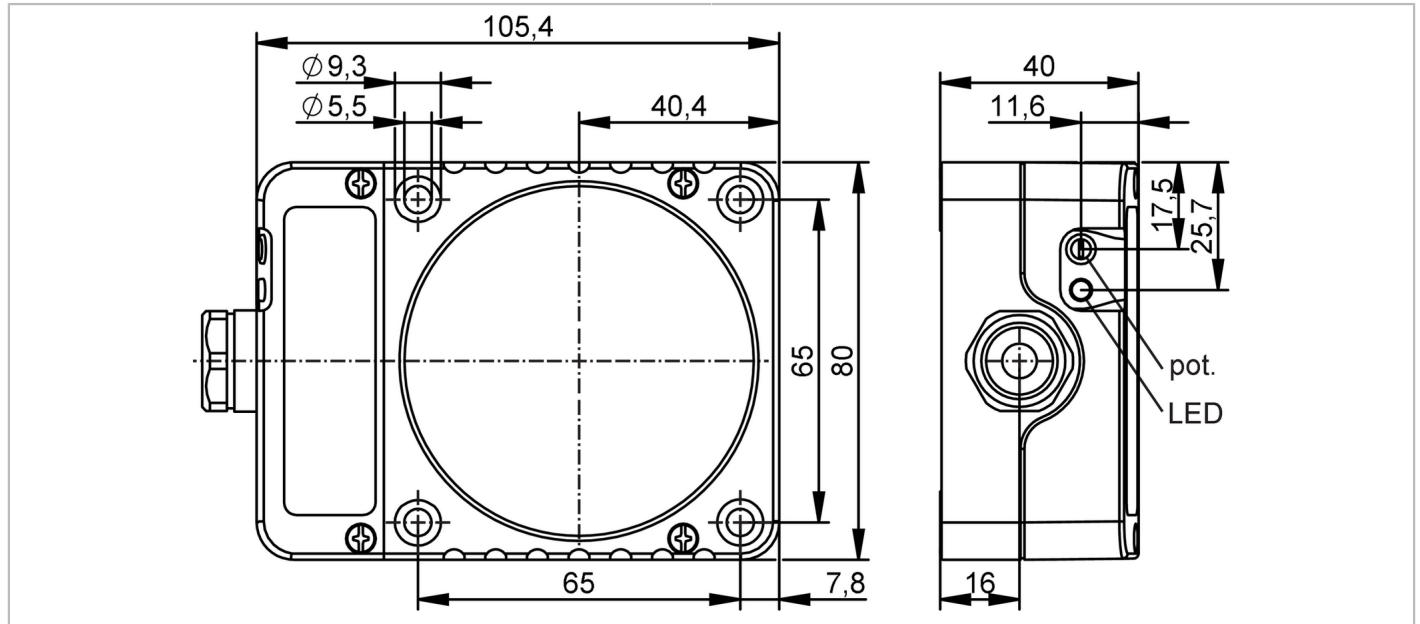


Inductive sensor

IDE3060-FNKG

phase-out article

Discontinuation date: 03/31/2026



Product characteristics

Electrical design	NPN
Output function	normally open / normally closed; (selectable)
Sensing range [mm]	60
Housing	rectangular
Dimensions [mm]	105 x 80 x 40

Application

Application	Industrial applications / factory automation
-------------	----------------------------------------------

Electrical data

Operating voltage [V]	10...36 DC
Current consumption [mA]	15; (24 V)
Protection class	II
Reverse polarity protection	yes

Outputs

Electrical design	NPN
Output function	normally open / normally closed; (selectable)
Max. voltage drop switching output DC [V]	2.5
Permanent current rating of switching output DC [mA]	250
Switching frequency DC [Hz]	4
Short-circuit protection	yes
Type of short-circuit protection	pulsed
Overload protection	yes

ID5023



Inductive sensor

IDE3060-FNKG

Detection zone		
Sensing range	[mm]	60
Sensing range adjustable		yes
Factory setting sensing range	[mm]	60
Real sensing range Sr	[mm]	60 ± 10 %
Operating distance	[mm]	0...48.6
Accuracy / deviations		
Correction factor		steel: 1 / stainless steel: 0.7 / brass: 0.4 / aluminium: 0.3 / copper: 0.2
Hysteresis	[% of Sr]	1...15
Switch point drift	[% of Sr]	-10...10
Operating conditions		
Ambient temperature	[°C]	-25...80
Protection		IP 65
Tests / approvals		
EMC	EN 60947-5-2	
	EN 55011	class B
MTTF	[years]	963
Mechanical data		
Weight	[g]	435
Housing		rectangular
Mounting		non-flush mountable
Dimensions	[mm]	105 x 80 x 40
Materials		PPE modified
Displays / operating elements		
Display	switching status	1 x LED, yellow
Accessories		
Items supplied		screwdriver: 1
Remarks		
Pack quantity		1 pcs.

ID5023



Inductive sensor

IDE3060-FNKG

Electrical connection

terminals: ...2.5 mm²; Cable sheath: Ø 7...13 mm; Cable gland: M20 X 1.5

Connection

