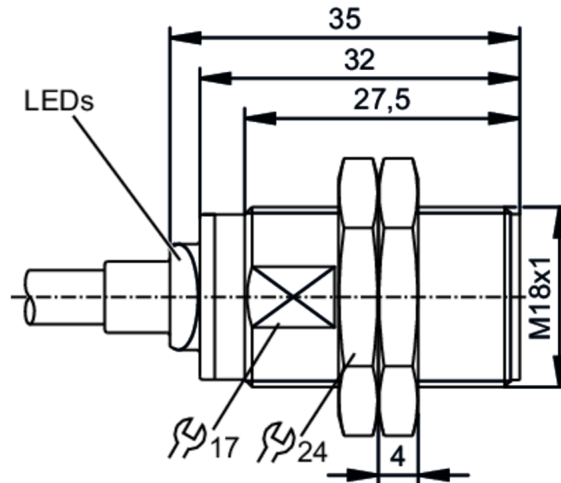


IGR204



Inductive full-metal sensor

IGB2006BARKG/AM/SC/3,0M/2LED



Product characteristics

Electrical design		PNP/NPN
Output function		normally open
Sensing range	[mm]	6
Housing		threaded type
Dimensions	[mm]	M18 x 1 / L = 35

Application

Special feature		Increased sensing range; Full-metal housing; Optical setting aid
Application		Use in welding applications
Pressure rating	[bar]	20
Note on pressure rating		sensing face

Electrical data

Operating voltage	[V]	10...30 DC
Protection class		III
Reverse polarity protection		yes

Outputs

Electrical design		PNP/NPN
Output function		normally open
Max. voltage drop switching output DC	[V]	3.2
Minimum load current	[mA]	2
Max. leakage current	[mA]	0.6
Permanent current rating of switching output DC	[mA]	100
Switching frequency DC	[Hz]	50
Short-circuit protection		yes
Type of short-circuit protection		pulsed
Overload protection		yes

IGR204



Inductive full-metal sensor

IGB2006BARKG/AM/SC/3,0M/2LED

Detection zone		
Sensing range	[mm]	6
Operating distance	[mm]	0...4.86
Increased sensing range		yes
Accuracy / deviations		
Correction factor		steel: 1 / stainless steel: 0.7 / brass: 0.7 / aluminium: 0.5 / copper: 0.2
Hysteresis	[% of Sr]	1...20
Operating conditions		
Ambient temperature	[°C]	-40...85
Protection		IP 65; IP 66; IP 67; IP 68; IP 69K
Tests / approvals		
EMC	EN 61000-4-2 ESD	4 kV CD / 8 kV AD
	EN 61000-4-3 HF radiated	10 V/m
	EN 61000-4-4 Burst	2 kV
	EN 61000-4-6 HF conducted	10 V
	EN 55011 emission	class B
Impact resistance		1 J
MTTF	[years]	959
UL approval	Ta	-25...70 °C
	Enclosure type	Type 1
	power supply	Limited Voltage/Current
	UL Approval no.	A042
	File number UL	E174191
Mechanical data		
Weight	[g]	157
Housing		threaded type
Mounting		flush mountable
Dimensions	[mm]	M18 x 1 / L = 35
Thread designation		M18 x 1
Materials		housing: stainless steel (316L/1.4404) anti-spatter; sensing face: stainless steel (316L/1.4404) anti-spatter; cable plug: PEI; lock nuts: stainless steel (316L/1.4404) anti-spatter
Tightening torque	[Nm]	20
Full-metal housing		yes
Displays / operating elements		
Display	switching status	1 x LED, green
	setting aid	1 x LED, red
Optical setting aid		yes
Accessories		
Items supplied		lock nuts: 2
Remarks		
Pack quantity		1 pcs.

IGR204



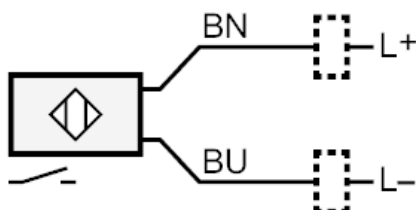
Inductive full-metal sensor

IGB2006BARKG/AM/SC/3,0M/2LED

Electrical connection

Cable: 3 m, PVC; 2 x 0.5 mm²

Connection



Core colours :
BN = brown
BU = blue

Diagrams and graphs

Installation

