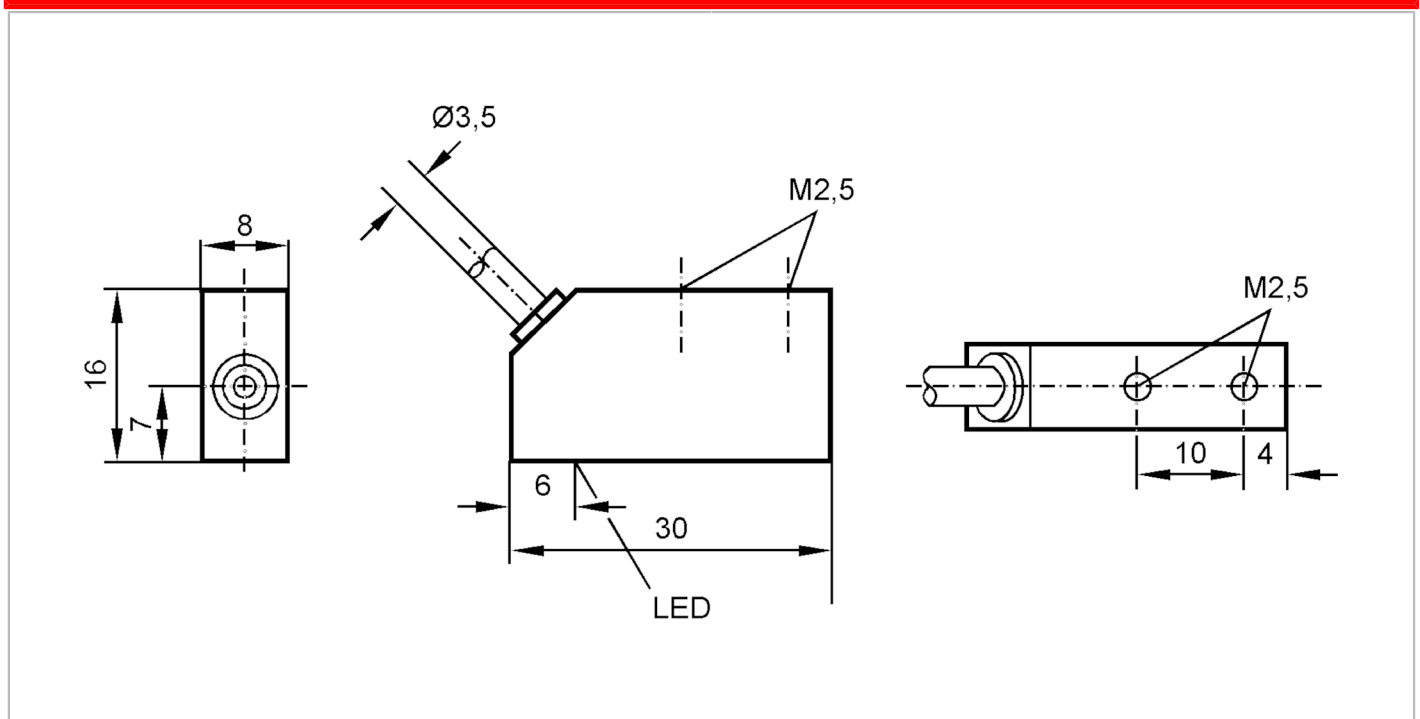




Inductive sensor

I9-3002-ANKG/0,3M/BH RT

Article no longer available - archive entry



Product characteristics

Electrical design		NPN
Output function		normally open
Sensing range	[mm]	2
Housing		rectangular
Dimensions	[mm]	16 x 30 x 8

Electrical data

Operating voltage	[V]	10...36 DC
Current consumption	[mA]	< 5
Protection class		III
Reverse polarity protection		yes

Outputs

Electrical design		NPN
Output function		normally open
Max. voltage drop switching output DC	[V]	1
Permanent current rating of switching output DC	[mA]	50
Switching frequency DC	[Hz]	1000
Short-circuit protection		yes
Type of short-circuit protection		pulsed
Overload protection		yes

I95021



Inductive sensor

I9-3002-ANKG/0,3M/BH RT

Detection zone		
Sensing range	[mm]	2
Real sensing range Sr	[mm]	2 ± 10 %
Operating distance	[mm]	0...1.6

Accuracy / deviations		
Correction factor		steel: 1 / stainless steel: 0.7 / brass: 0.5 / aluminium: 0.4 / copper: 0.3
Hysteresis	[% of Sr]	1...15
Switch point drift	[% of Sr]	-10...10

Operating conditions		
Ambient temperature	[°C]	0...60
Protection		IP 67

Tests / approvals		
EMC		EN 60947-5-2

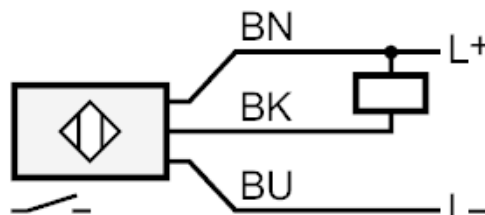
Mechanical data		
Housing		rectangular
Mounting		non-flush mountable
Dimensions	[mm]	16 x 30 x 8
Materials		PA; AlMgSi0,5

Displays / operating elements		
Display	switching status	1 x LED, red

Remarks		
Pack quantity		1 pcs.

Electrical connection		
Cable: 0.3 m, PUR; 3 x 0.14 mm ²		

Connection



	Core colours :
BK =	black
BN =	brown
BU =	blue

I95021

Inductive sensor

I9-3002-ANKG/0,3M/BH RT



Article no longer available - archive entry
