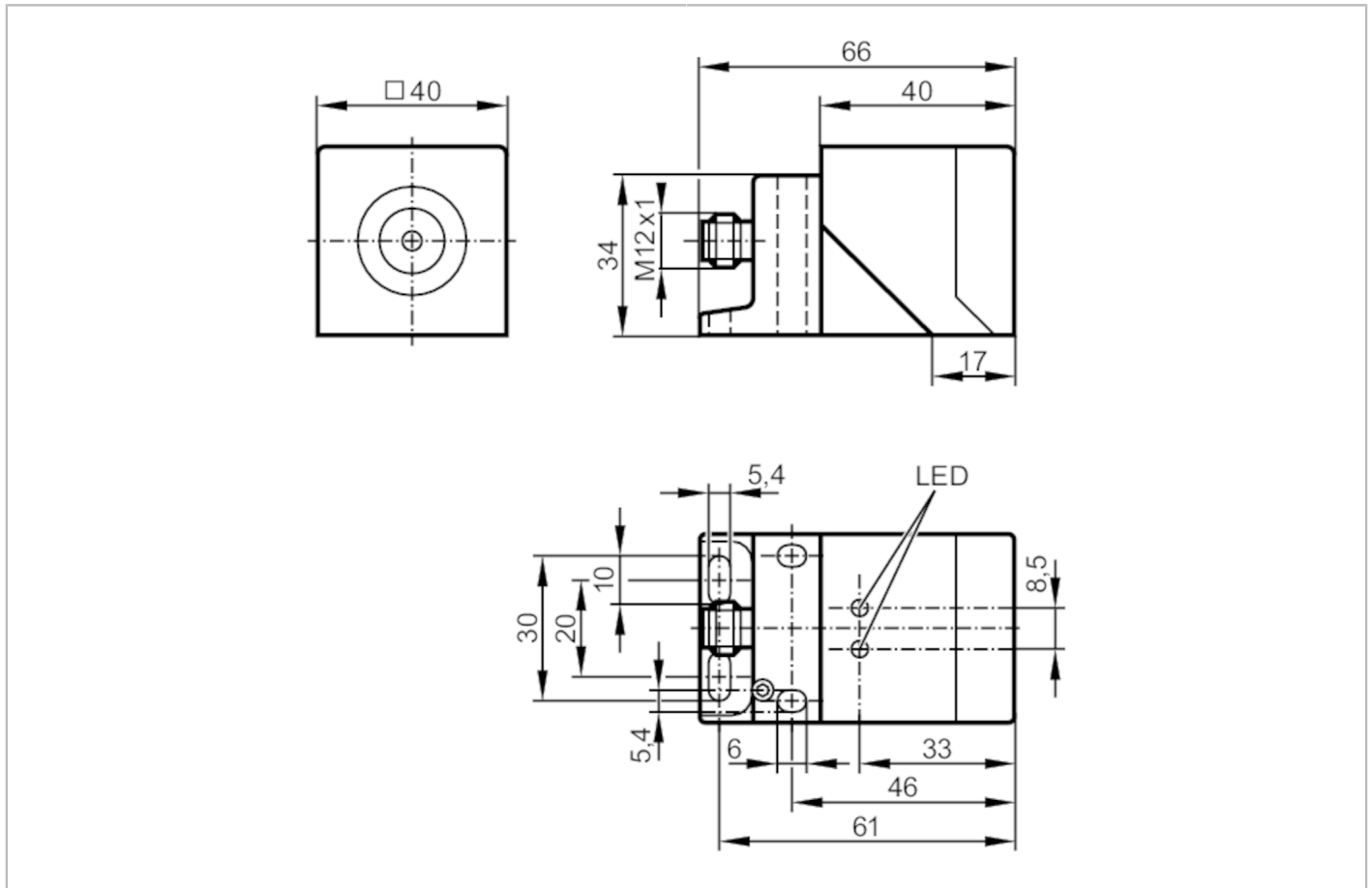


# GM701S



## Fail-safe inductive sensor

GIMC-4030-US/2OSSD



Product characteristics		
Electrical design		PNP
Output function		2 x OSSD (A1 and A2)
Enable zone	[mm]	10...15
Housing		rectangular
Dimensions	[mm]	40 x 40 x 66
Application		
Special feature		Gold-plated contacts
Type of operation		continuous operation (maintenance-free)
Safety-related function		safe state when undamped
Application		industrial application
Electrical data		
Operating voltage	[V]	19.2...30 DC
Rated insulation voltage	[V]	30
Current consumption	[mA]	< 15
Protection class		III
Reverse polarity protection		yes
Max. power-on delay time	[ms]	5000

# GM701S



## Fail-safe inductive sensor

GIMC-4030-US/2OSSD

Outputs	
Electrical design	PNP
Output function	2 x OSSD (A1 and A2)
Max. voltage drop switching output DC [V]	2.5; (100 mA)
Output data	Interface type C class 0
Output voltage at 24 V	compatible with EN 61131-2 inputs type 1, 2, 3
Short-circuit protection	yes
Max. capacitive load CL_max [nF]	20
Detection zone	
Enable zone [mm]	10...15
Safe switching-off distance s(ar) [mm]	30
Response times	
Response time to safety request [ms]	50
Response time when approaching the enable zone [ms]	200
Risk time (response time for safety-related faults) [ms]	100
Operating conditions	
Applications	class C to EN 60654-1 weatherproof application
Ambient temperature [°C]	-25...70
Note on ambient temperature	operational life ≤ 87600 h
Ambient temperature [°C]	10...40
Note on ambient temperature	operational life ≤ 175200 h
Rate of temperature change [K/min]	0.5
Max. relative air humidity [%]	briefly: 5...95 %; permanent: 5...70 %
Air pressure [kPa]	80...106
Max. height above sea level [m]	2000
Ionising radiation	not permissible
Salt spray	no
Protection	IP 65; IP 67

# GM701S



## Fail-safe inductive sensor

GIMC-4030-US/2OSSD

Tests / approvals		
EMC	IEC 60947-5-2	
	IEC 60947-5-3	
	EN 60947-5-3	
	EN 61000-4-2 ESD	6 kV CD / 8 kV AD
	EN 61000-4-3 HF radiated	20 V/m
	EN 61000-4-4 Burst	2 kV
	EN 61000-4-6 HF conducted	10 V
	EN 61000-4-8	30 A/m
Shock resistance	IEC 60947-5-2	
Vibration resistance	IEC 60947-5-2	
UL approval	Ta	-25...70 °C
	Enclosure type	Type 1
	voltage supply	Limited Voltage/Current
	File number UL	E174191
Safety classification		
ISO 13849-1		category 3, PL e
IEC 61508		SIL 3
IEC 62061		SIL cl 3
Mission time TM [h]		≤ 175200
Mission time TM (additional indication)		20 years
Safety-related reliability PFHD [1/h]		1E-08
Mechanical data		
Weight [g]		342.5
Housing		rectangular
Mounting		non-flush mountable
Dimensions [mm]		40 x 40 x 66
Materials		PPE; diecast zinc
Displays / operating elements		
Display	operation	1 x LED, green
	signal	1 x LED, yellow
Remarks		
Remarks	Unless stated otherwise, all data refer to the reference target plate to IEC 60947-5-2 over the whole temperature range. (FE360 = ST37K) 45x45x1 mm	
Pack quantity	1 pcs.	
Electrical connection - plug		
Connector: 1 x M12; Contacts: gold-plated		

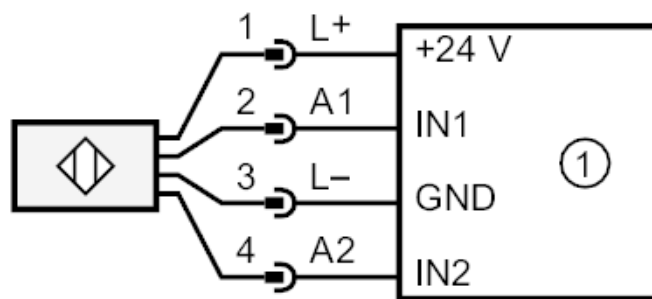
# GM701S

## Fail-safe inductive sensor

GIMC-4030-US/2OSSD



### Connection



1: safety-related logic unit