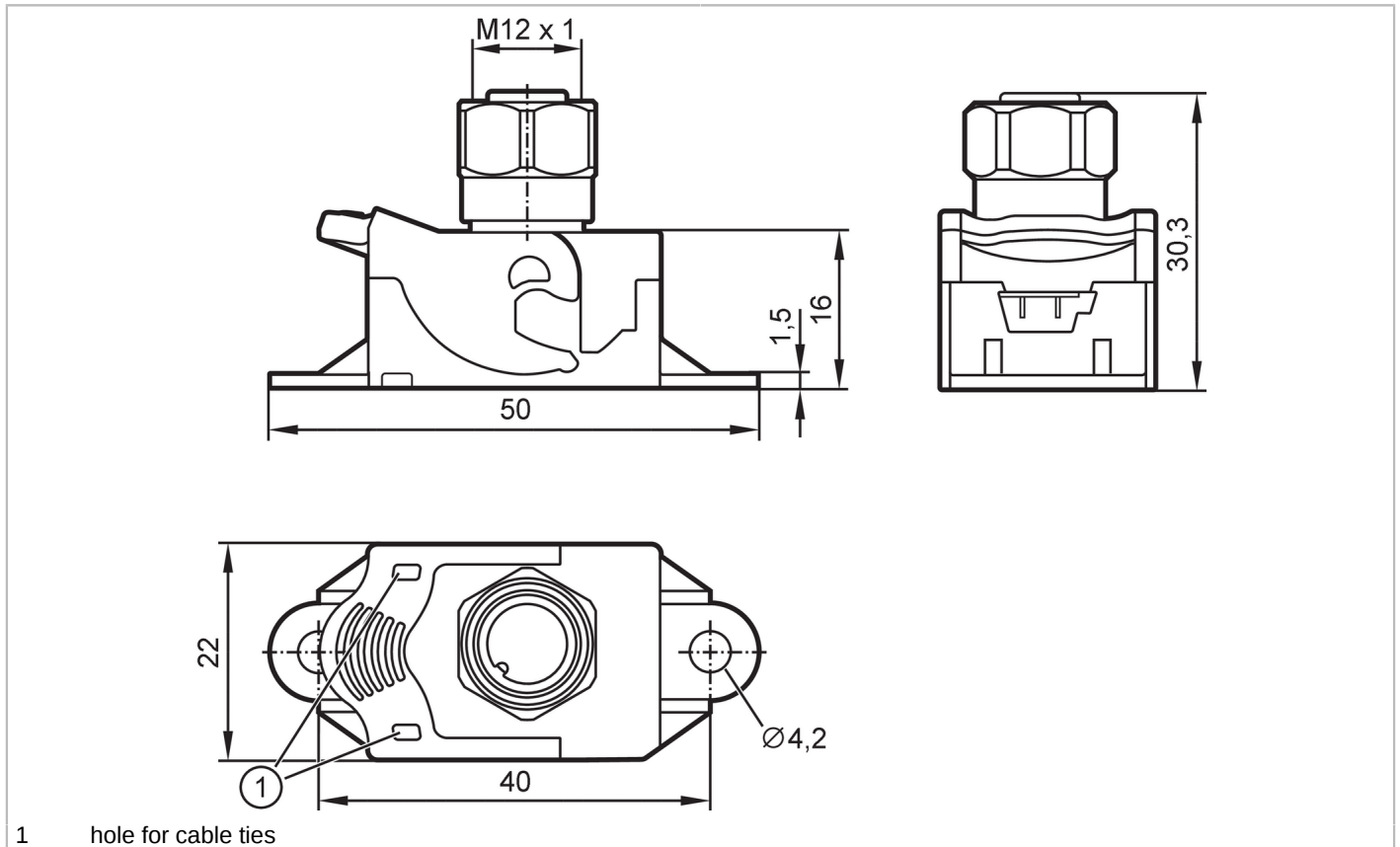


# E75471



## AS-Interface flat cable insulation displacement connector

FC Quick Connect M12 stainless



1 hole for cable ties



Application		
Design		AS-i
Electrical data		
Operating voltage	[V]	< 42 DC
Protection class		III
Max. current load total	[A]	4
Operating conditions		
Ambient temperature	[°C]	-25...70
Storage temperature	[°C]	-25...75
Protection		IP 67
Tests / approvals		
UL approval	power supply	Class 2
Mechanical data		
Weight	[g]	18.45
Materials		housing: PA; O-ring: EPDM; Lock nut: stainless steel (303/1.4305); contact pins: bronze tin-plated
Remarks		
Remarks		The flat cable must not end in the device.
Pack quantity		1 pcs.

# E75471

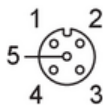


## AS-Interface flat cable insulation displacement connector

FC Quick Connect M12 stainless

### Electrical connection

Connector: M12; coding: A; Tightening torque: 0.4...0.6 Nm



	when connected to yellow AS-i flat cable
1	AS-i +
2	n.c.
3	AS-i -
4	n.c.
5	n.c.
	when connected to black flat cable
1	AUX +
2	n.c.
3	AUX -
4	n.c.
5	n.c.