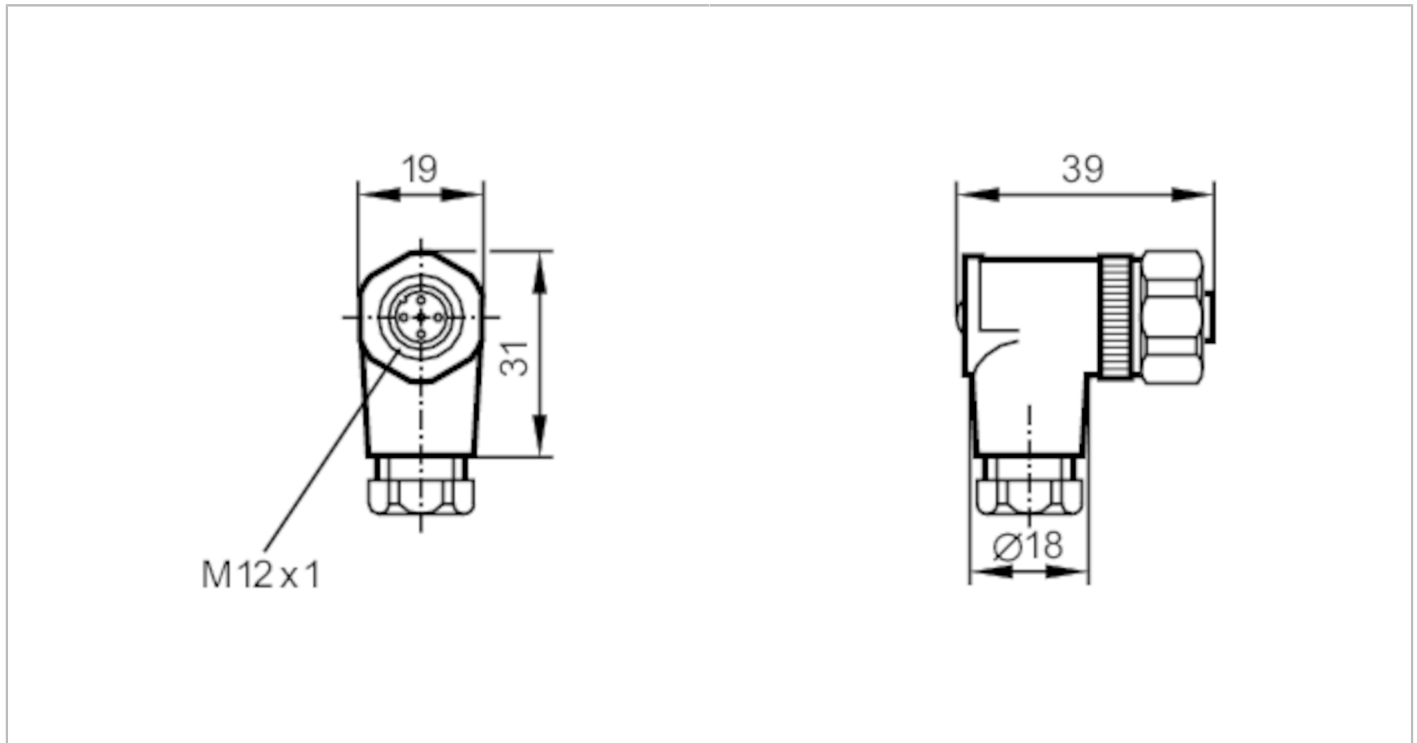


E11252



Wirable socket

SDOAH040VASFKPG



| Application | |
|-----------------------------|--|
| Special feature | Free from silicone; Gold-plated contacts |
| Free from silicone | yes |
| Electrical data | |
| Operating voltage [V] | < 45 AC / < 70 DC |
| Max. current load total [A] | 4; (...40 °C) |
| Operating conditions | |
| Ambient temperature [°C] | -40...85 |
| Protection | IP 68 |
| Mechanical data | |
| Weight [g] | 28.2 |
| Dimensions [mm] | 39 x 19 x 31 |
| Materials | PBT |
| Moulded-body material | PBT |
| Material nut | stainless steel (316L/1.4404) |
| Remarks | |
| Pack quantity | 1 pcs. |

E11252



Wirable socket

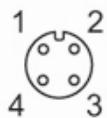
SDOAH040VASFKPG

Electrical connection

screw terminals: ...0.75 mm²; Cable sheath: Ø 6...8 mm

Electrical connection - socket

Connector: 1 x M12, angled; coding: A; Moulded body: PBT; Locking: stainless steel (316L/1.4404); Contacts: gold-plated



Connection

