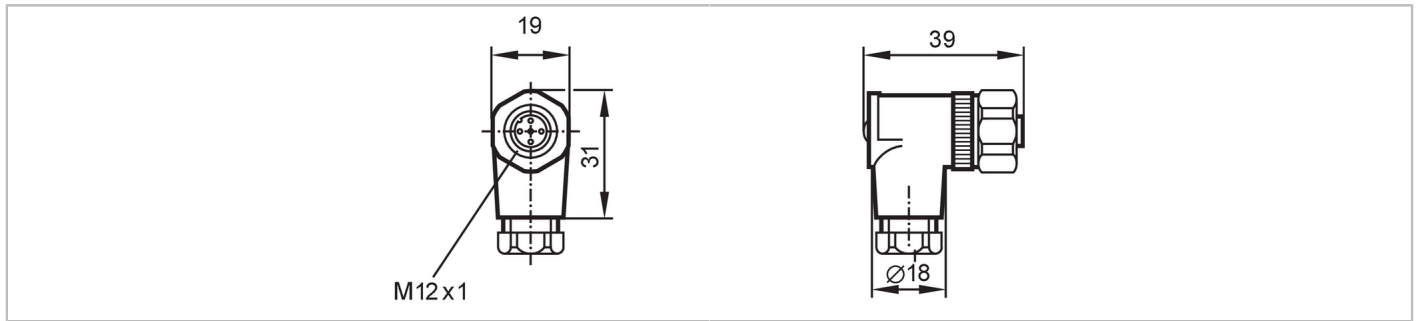


E11252



Wirable socket

SDOAH040VASFKPG



Application

Special feature	Free from silicone; Gold-plated contacts
Application	Industrial applications / factory automation
Free from silicone	yes

Electrical data

Operating voltage	[V]	< 45 AC / < 70 DC
Max. current load total	[A]	4; (...40 °C)

Operating conditions

Ambient temperature	[°C]	-40...85
Protection		IP 67

Mechanical data

Weight	[g]	28.2
Dimensions	[mm]	39 x 19 x 31
Moulded-body material		PA
Material nut		stainless steel (316L/1.4404)

Remarks

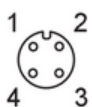
Pack quantity		1 pcs.
---------------	--	--------

Electrical connection

screw terminals: ...0.75 mm²; Cable sheath: Ø 6...8 mm

Electrical connection - socket

Connector: 1 x M12, angled; coding: A; Contacts: 4, gold-plated; Moulded body: PA; Locking: stainless steel (316L/1.4404)



Connection

