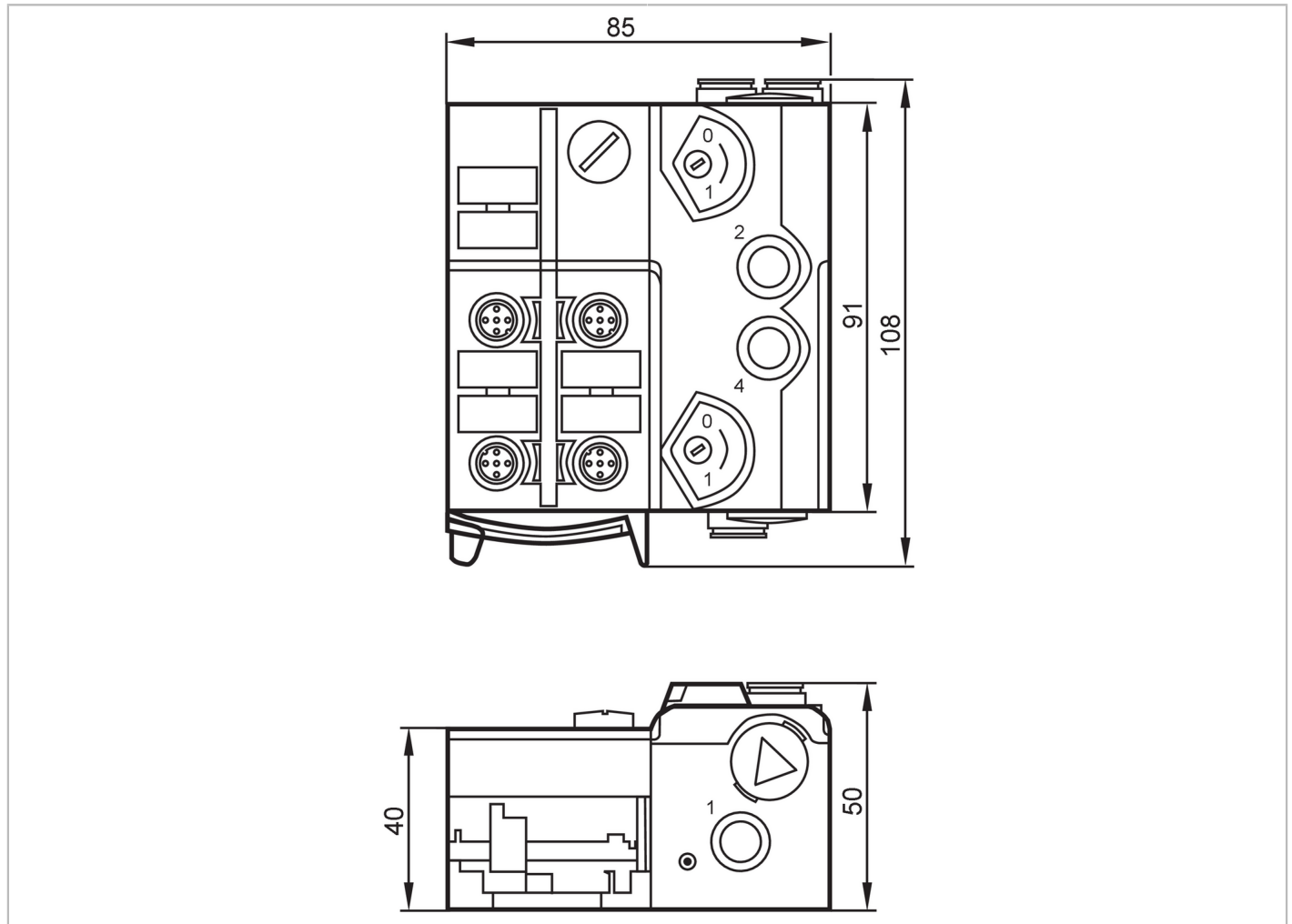


AC5228



AS-Interface Airbox with quick mounting technology

AirBox 2x3/2 4DI-Y IP67



Application	
Design	housing for DIN rail mounting
Application	field installation
Medium temperature	[-10...50 °C]
Electrical data	
Operating voltage	[V] 26.5...31.6 DC
Max. current consumption from AS-i	[mA] 280
Integrated watchdog	yes
Inputs / outputs	
Number of inputs and outputs	Number of digital inputs: 4; Number of pneumatic outputs: 2
Inputs	
Number of digital inputs	4
Input circuit of digital inputs	PNP
Sensor supply of the inputs	AS-i
Voltage supply	[V] 20...30; (via flat cable)

AC5228



AS-Interface Airbox with quick mounting technology

AirBox 2x3/2 4DI-Y IP67

Max. total current rating of inputs	[mA]	200
Input current High	[mA]	6...10
Input current Low	[mA]	0...2
Switching level high	[V]	> 11
Digital inputs protected against short circuits		yes

Outputs

Number of pneumatic outputs	2
Actuator supply outputs	AS-i

Operating conditions

Ambient temperature	[°C]	-10...55
Protection		IP 65; IP 67

Tests / approvals

EMC	EN 50295	
	IEC 61000-6-2	
MTTF	[years]	287

AS-i classification

AS-i version	2.11; 3.0				
AS-i addressing	addressing socket				
Extended addressing mode	yes				
AS-i master profile	M2; M3; M4				
AS-i profile	S-7.A.E				
AS-i I/O configuration	[hex]	7			
AS-i ID code	[hex]	A.E			
Assignment of the data bits	data bit	D0	D1	D2	D3
	input	1	2	3	4
	socket	I-1/2	I-1/2 I-2	I-3/4	I-3/4 I-4
	pin	4	2 4	4	2 4
	pneumatic output	2	4	-	-

Mechanical data

Weight	[g]	378
Housing		rectangular
Type of mounting		quick mounting; AS-i flat cables directly connectable; mounting on DIN rail; (TH35 (EN 60715))
Dimensions	[mm]	108 x 85 x 50
Materials		PA; POM; piercing contacts: CuSn6 nickel-plated and tin-plated
Pneumatic system		2 x 3/2-way slide valves (free from overlapping)
Operating pressure range		2...8 bar 0.2...0.8 MPa 29...116 psi
Air flow at 6/5 bar	[l/min]	500
Permissible compressed air		non-lubricated compressed air class 6-3-1; lubricated compressed air class 6-3-4
Manual override		pressing/releasing or pressing/turning/locking
Tube fittings		8 mm
Exhaust		exhaust can be discharged through tube connection

AC5228



AS-Interface Airbox with quick mounting technology

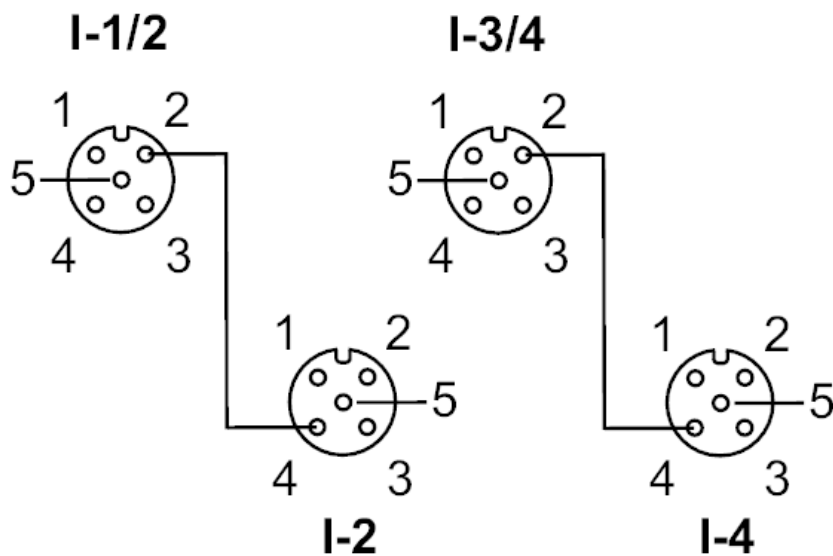
AirBox 2x3/2 4DI-Y IP67

Displays / operating elements	
Display	operation LED, green
	errors LED, red
	function LED, yellow
Electrical connection	
Module connection	Flat cables
Accessories	
Items supplied	lower part
Accessories (optional)	Mounting plate:, E74999
	Module lower part:, E75000
	Protective cap: M12, E73004
	sealing plugs:, E75231
	silencer:, E75232
	Push-in L-fitting:, E75228
	Push-in T-fitting:, E75227
Remarks	
Remarks	If not pneumatically operated, E75231 sealing plug must be inserted. Avoid ingress of dirt and dust. Do not connect any of the following points to an external potential: L-, L+, I-1, I-2, I-3, I-4 The connections are electrically connected with the AS-i cable. Please see the notes on compressed air and EMC/ESD under "Downloads"
Pack quantity	1 pcs.

Electrical connection

quick mounting technology for AS-i flat cable: ; three orientations possible

Connection





AS-Interface Airbox with quick mounting technology

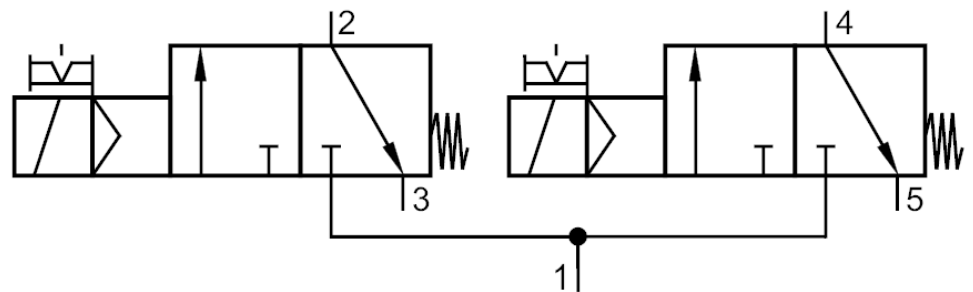
AirBox 2x3/2 4DI-Y IP67

Connector: M12

	Inputs
	socket I-1/2
1	Sensor supply L+
2	data input 2
3	Sensor supply L-
4	data input 1
5	not used
	socket I-2
1	Sensor supply L+
2	not used
3	Sensor supply L-
4	data input 2
5	not used
	socket I-3/4
1	Sensor supply L+
2	data input 4
3	Sensor supply L-
4	data input 3
5	not used
	socket I-4
1	Sensor supply L+
2	not used
3	Sensor supply L-
4	data input 4
5	not used

Diagrams and graphs

Pneumatic symbol



2 x 3/2-way slide valves (free from overlapping)