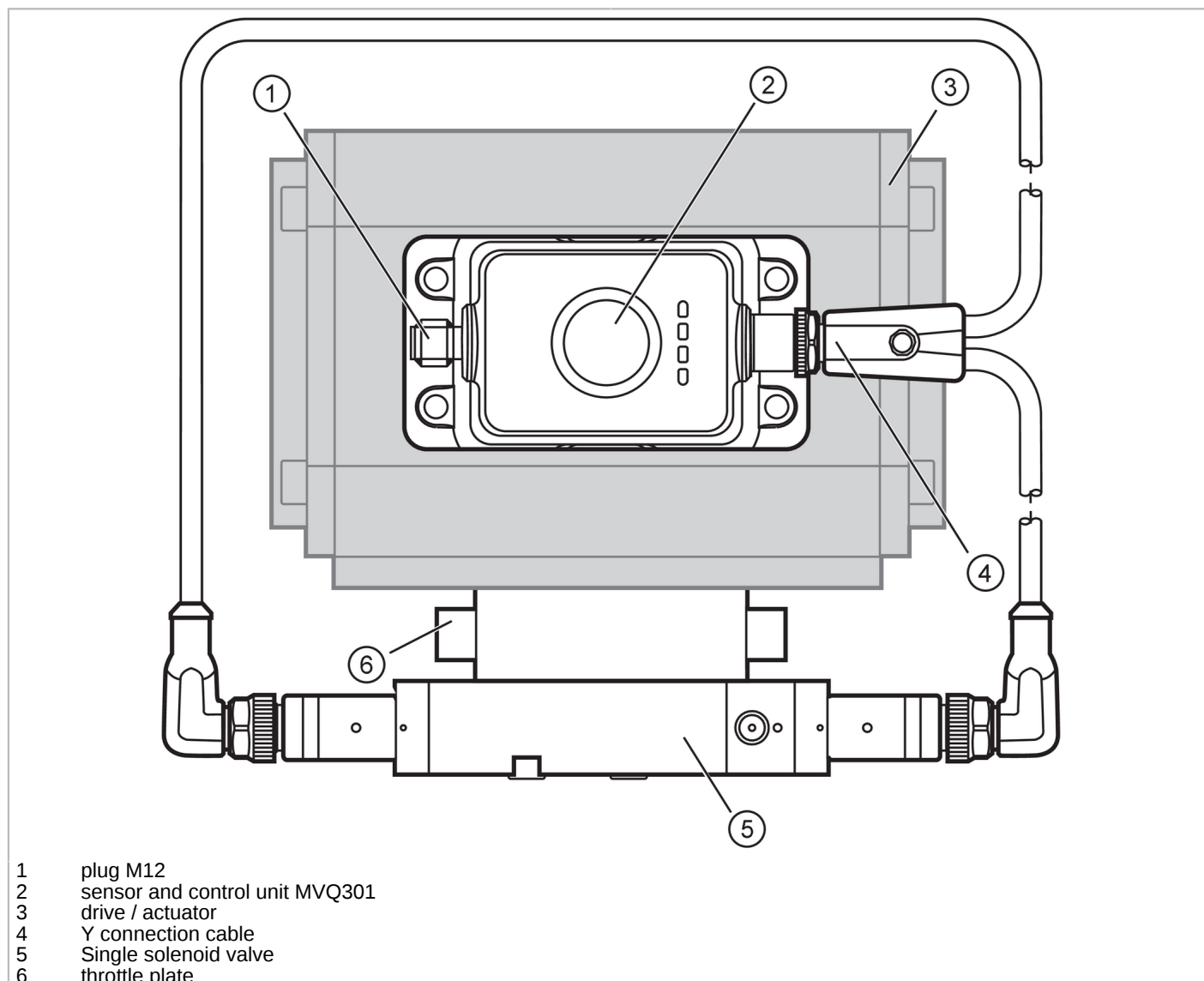


# ZZ0688



## Positioner for industrial valves

SMART POSITIONER min 3 bar



Application	
Application	suitable for double-acting quarter-turn actuators; defined home position in case of a power failure
Components	position sensor and control unit: 1, MVQ301 5/3-way solenoid valve with defined home position: 1, ZJF119 throttle plate: 1, ZJF122 Connection cable: 1, EVC508 Silencer: 2 with mounting material
Interfaces	
Communication interface	IO-Link
Unterstützte Masterportklasse	B
Mechanical data	
Weight [g]	943.6
Operating pressure range [bar]	2.5...8

# ZZ0688



## Positioner for industrial valves

SMART POSITIONER min 3 bar

### Remarks

Pack quantity

1 pcs.