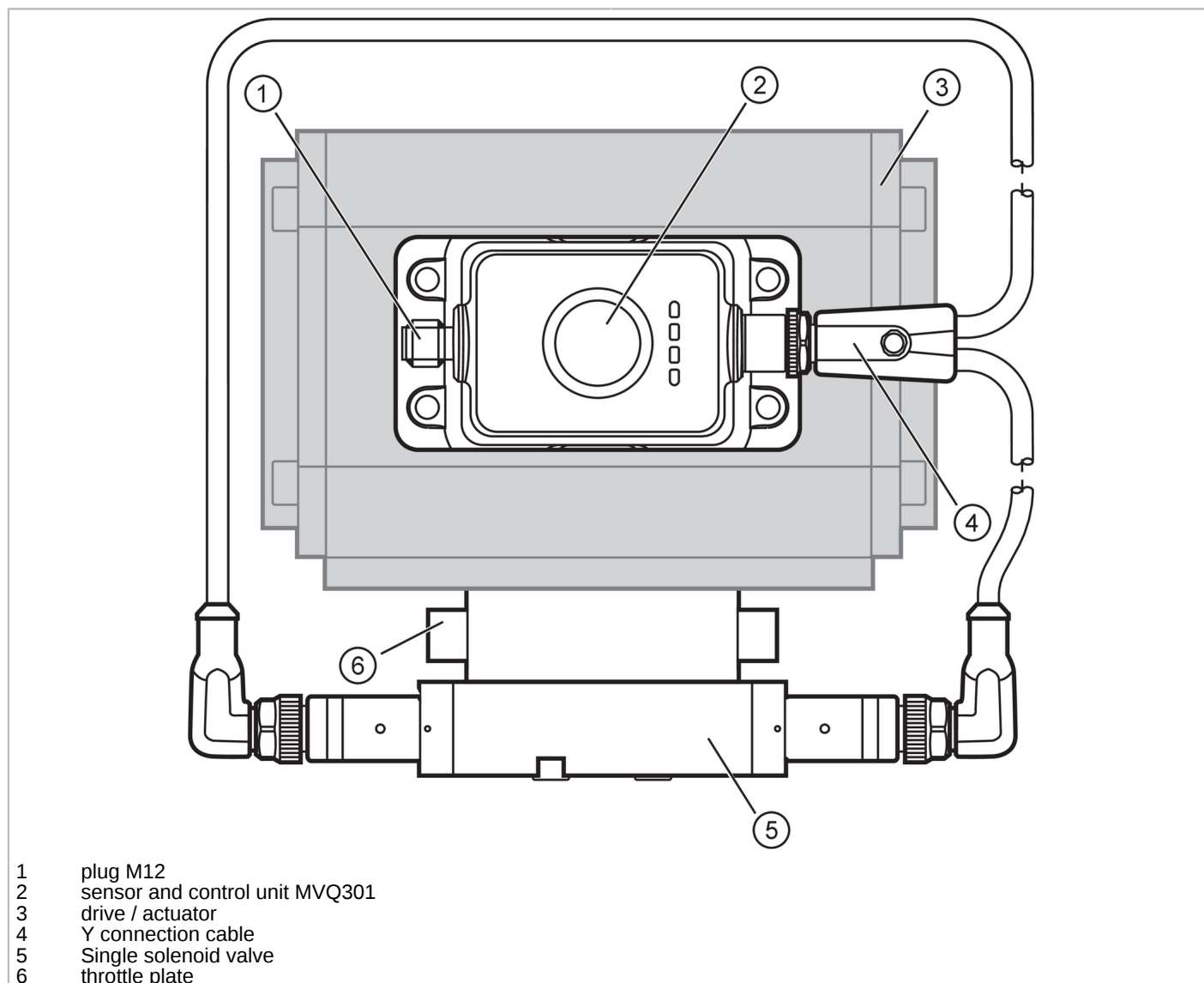


# ZZ0686



## Positioner for industrial valves

SMART POSITIONER DOUBLE ACTING



- 1 plug M12
- 2 sensor and control unit MVQ301
- 3 drive / actuator
- 4 Y connection cable
- 5 Single solenoid valve
- 6 throttle plate

Application	
Application	suitable for double-acting quarter-turn actuators
Components	position sensor and control unit: 1, MVQ301 5/3-way solenoid valve: 1, ZJF120 throttle plate: 1, ZJF122 Connection cable: 1, EVC508 Silencer: 2 with mounting material
Interfaces	
Communication interface	IO-Link
Unterstützte Masterportklasse	B
Mechanical data	
Weight [g]	904.5
Operating pressure range [bar]	2.5...8
Remarks	
Pack quantity	1 pcs.