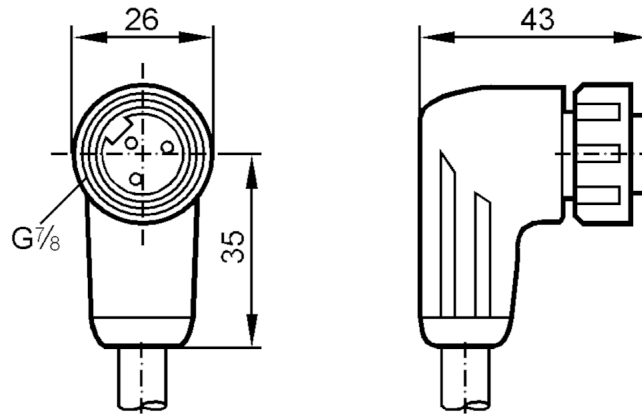


W80663



Female cordset

ADOAB050MKS0004X05



Application

Application Industrial applications

Electrical data

Operating voltage [V] < 300 AC/DC

Operating conditions

Ambient temperature [°C] -20...90

Protection IP 68

Mechanical data

Weight [g] 399.161

Dimensions [mm] 43 x 26 x 35

Molded-body material PVC

Material nut diecast zinc, epoxy coated

Remarks

Pack quantity 1 pcs.

Electrical connection

Cable: 4 m, PVC, yellow, Ø 7 mm; 5 x 0.75 mm² (16 x Ø 0.5 mm) / AWG 20

Electrical connection - Socket

Connector: 1 x 7/8", angled; coding: A; Contacts: 5; Moulded body: PVC; Locking: diecast zinc, epoxy coated



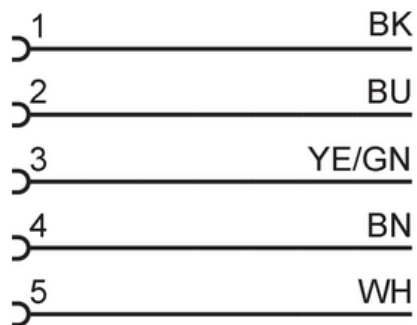
W80663



Female cordset

ADOAB050MKS0004X05

Connection



Core colors :
BK = black
BN = brown
BU = blue
GN/YE = green/yellow
WH = white