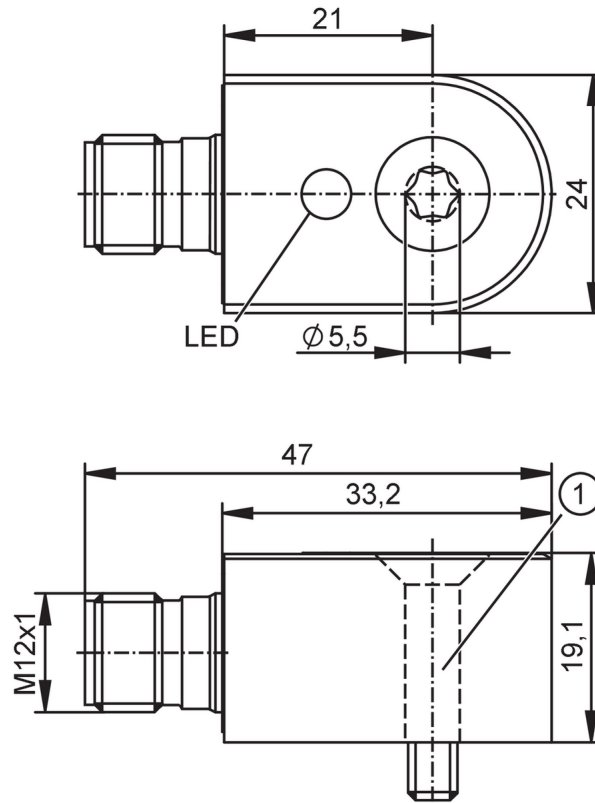


# VVB306



## Vibration sensor

VIBRATION IO-LINK SWITCH



1 Mounting screw M5



### Product characteristics

Frequency range	[Hz]	2...5600
Measuring principle		capacitive
v-RMS (x-y-z)		
Measuring range of vibration	[mm/s]	0...300
a-Peak/a-RMS (x-y-z)		
Measuring range of vibration	[g]	0...16

### Application

Design	DataScience condition monitoring
Application	industrial machines

### Electrical data

Operating voltage	[V]	18...30 DC
Current consumption	[mA]	< 50
Min. insulation resistance	[MΩ]	100; (500 V DC)
Protection class		III
Reverse polarity protection		yes
Type of sensor		Microelectromechanical system (MEMS)

### Inputs / outputs

Number of inputs and outputs	Number of digital outputs: 2
------------------------------	------------------------------

# VVB306



## Vibration sensor

VIBRATION IO-LINK SWITCH

Outputs	
Output signal	switching signal; IO-Link
Electrical design	PNP/NPN; (configurable)
Number of digital outputs	2
Output function	normally open / closed
Max. voltage drop switching output DC [V]	2
Max. current load per output [mA]	100
Short-circuit protection	yes
Type of short-circuit protection	yes (non-latching)
Overload protection	yes
Measuring/setting range	
Note on setpoint SP	configurable
Frequency range [Hz]	2...5600
Measuring principle	capacitive
Number of measurement axes	3
v-RMS (x-y-z)	
Measuring range of vibration [mm/s]	0...300
Resolution [mm/s]	0.1
Set point SP [mm/s]	0.2...300
Reset point rP [mm/s]	0...299.8
Temperature measurement	
Measuring range [°C]	-30...80
Resolution [°C]	0.1
Set point SP [°C]	-28...80
Reset point rP [°C]	-30...78
a-Peak/a-RMS (x-y-z)	
Measuring range of vibration [g]	0...16
Resolution [g]	0.001
Set point SP [g]	0.2...16
Reset point rP [g]	0...15.8
Accuracy / deviations	
Accuracy [K]	± 5
Linearity deviation	2; (% of the final value)
X axis	
Accuracy	2-4000Hz +/- 10%, 4000...5600Hz -3dB
Y axis	
Accuracy	2-5000Hz +/- 10%, 5000...5600Hz -3dB
z-axis	
Accuracy	2-5000Hz +/- 10%, 5000...5600Hz -3dB
Software / programming	
Parameter setting options	IO-Link



## Vibration sensor

VIBRATION IO-LINK SWITCH

Diagnostic functions	self-test	
<b>Interfaces</b>		
Communication interface	IO-Link	
Transmission type	COM3 (230,4 kBaud)	
IO-Link revision	1.1	
SDCI standard	IEC 61131-9: 2013-07	
Profiles	BLOB	Binary Large Object transfer
	Common - I&D	Identification and Diagnosis
	Function	Locator
	Function	ProductURI
SIO mode	yes	
Required master port class	A	
Min. process cycle time [ms]	4.1	
IO-Link process data (cyclical)	<b>Function</b>	<b>bit length</b>
	v-RMS (x)	16
	v-RMS (y)	16
	v-RMS (z)	16
	v-RMS (Magnitude)	16
	scaling / v-RMS	8
	a-Peak (x)	16
	a-Peak (y)	16
	a-Peak (z)	16
	a-Peak ( Magnitude)	16
	a-RMS (x)	16
	a-RMS (y)	16
	a-RMS (z)	16
	a-RMS ( Magnitude)	16
	scaling / a-Peak/a-RMS	8
	temperature	16
	scaling / temperature	8
	device status	4
	unbalance / bearing event	1
	virtual switching output (v-ou1)	1
binary switching information	2	
IO-Link functions (acyclical)	filter for v-RMS, a-RMS, a-Peak; Hysteresis; window; Switch points; switching logic; unbalance measurement; machine operating hours counter; bearing analysis (BearingScout)	
Supported DeviceIDs	<b>Type of operation</b>	<b>DeviceID</b>
	default	1780
Note	For further information please see the IODD PDF file at "Downloads"	
<b>Operating conditions</b>		
Ambient temperature [°C]	-30...80	
Storage temperature [°C]	-30...80	
Protection	IP 67; IP 68; IP 69	
<b>Tests / approvals</b>		
EMC	EN IEC 61000-6-2	noise immunity / industrial environments
	EN IEC 61000-6-4	noise emission

# VVB306



## Vibration sensor

VIBRATION IO-LINK SWITCH

Shock resistance	DIN EN 60068-2-27	50 g 11 ms 500 g 1 ms
Vibration resistance	DIN EN 60068-2-6	20 g / 10...3000 Hz
MTTF [years]		480
UL approval	UL approval number	L006
	File number UL	E251902
Standard	mechanical vibration; ISO 10816-3; ISO 2954; ISO 20816-3	

### Mechanical data

Weight [g]	97.9
Type of mounting	mounting screw
Material	housing: stainless steel (1.4404 / 316L)
Tightening torque [Nm]	4.6

### Displays / operating elements

Display	Power	1 LED, green
	fault	1 LED, red

### Accessories

Items supplied	mounting screw: 1 x (M5 x 25 mm)
----------------	----------------------------------

### Remarks

Pack quantity	1 pcs.
---------------	--------

### Electrical connection

Connector: 1 x M12; coding: A; Maximum cable length: 20 m



1	L+
2	OUT2 Switching output
3	L-
4	OUT1 switching output or IO-Link

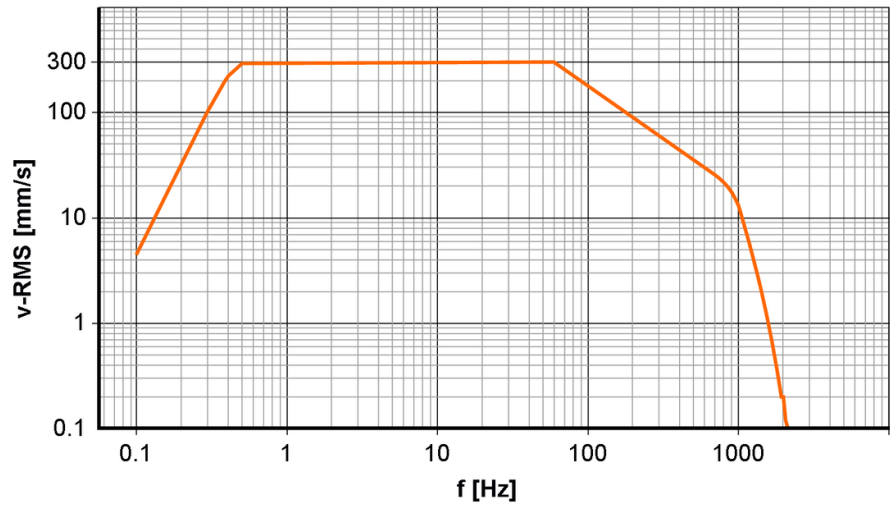
# VVB306

## Vibration sensor

VIBRATION IO-LINK SWITCH



### Diagrams and graphs



v-  
RMS  
vibration velocity  
[mm/  
s]  
f  
Frequency  
[Hz]