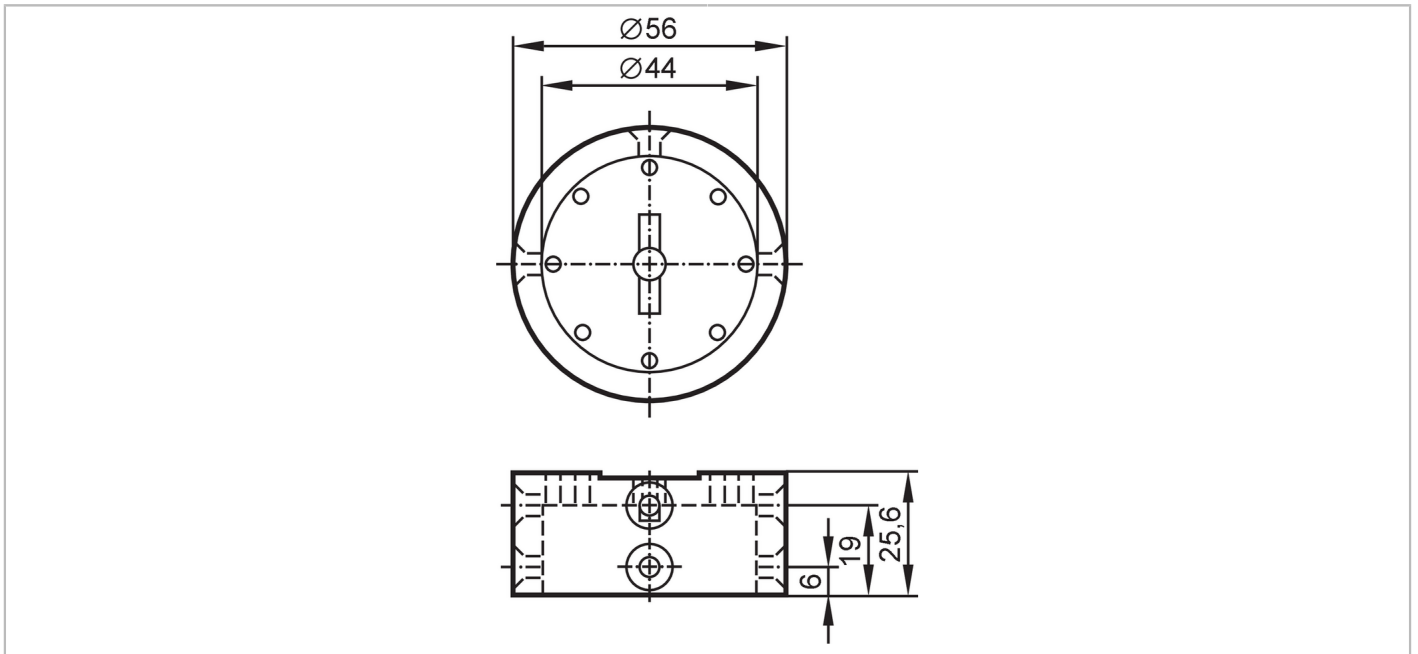


# UV0002



## Target puck for valve actuators

PUCK, PKG, UNV, TYPE 1



Application	
Design	for mechanical interfaces to pneumatic actuators or manually-operated valves
Mechanical data	
Weight [g]	68.039
Material	Target puck: HDPE black; puck mounting screw: stainless steel M6 x 25 mm; sensor mounting screws: stainless steel 10 - 24 x 1¼"
Accessories	
Items supplied	countersunk screws: 3, HDPE
	countersunk screws: 3 x (10-32 x 1/4"), stainless steel
	counter-sunk screw: 1 x (M5 x 25 mm), stainless steel
	washers: 2, stainless steel
	panhead screws: 2 x (10-24 x 1 1/4"), stainless steel
	panhead screws: 2 x (10-32 x 1 1/2")
	panhead screws: 2 x (M5 x 30 mm)
	direction indication: 1, HDPE yellow
Remarks	
Pack quantity	1 pcs.