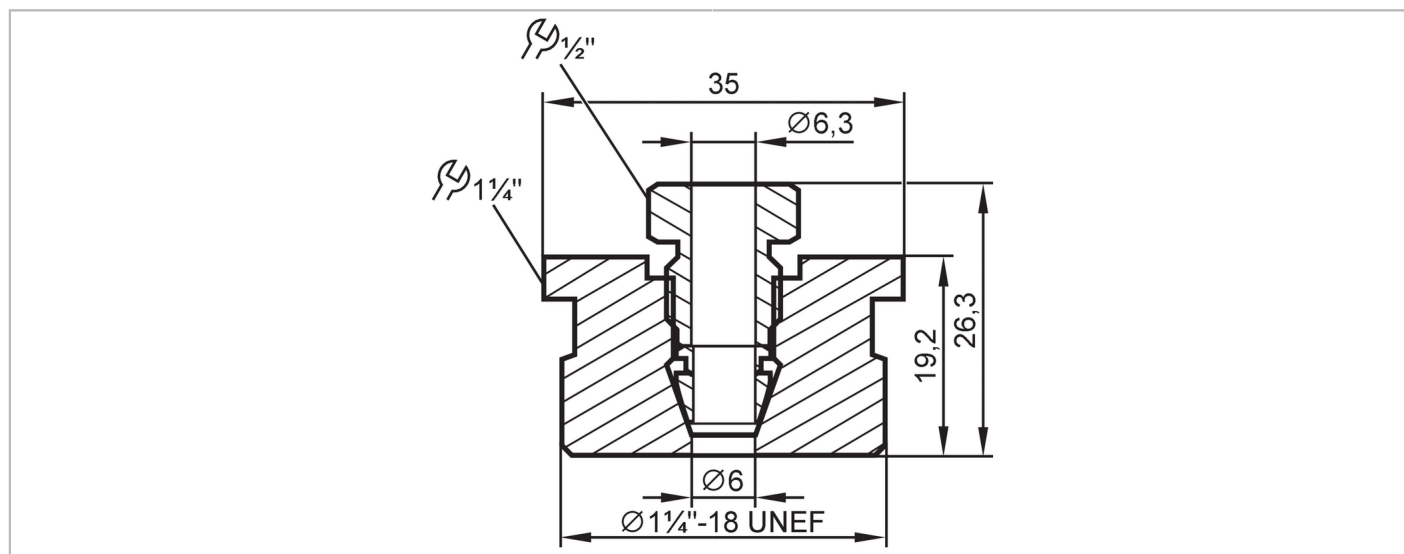


UT0039



Thermowell for temperature sensors

THERMOWELL ACCESSORY D6/1-1/4-18 UNEF



Application	
Design	for temperature sensors Ø 6 mm
Pressure rating	10 bar 1 MPa
Mechanical data	
Weight [g]	110.5
Material	stainless steel (1.4404 / 316L); clamping ring: PA 6.6
Tightening torque [Nm]	45
Sensor connection	Clamp fitting Ø 6 mm
Process connection	1 1/4" - 18 UNEF
Remarks	
Pack quantity	1 pcs.