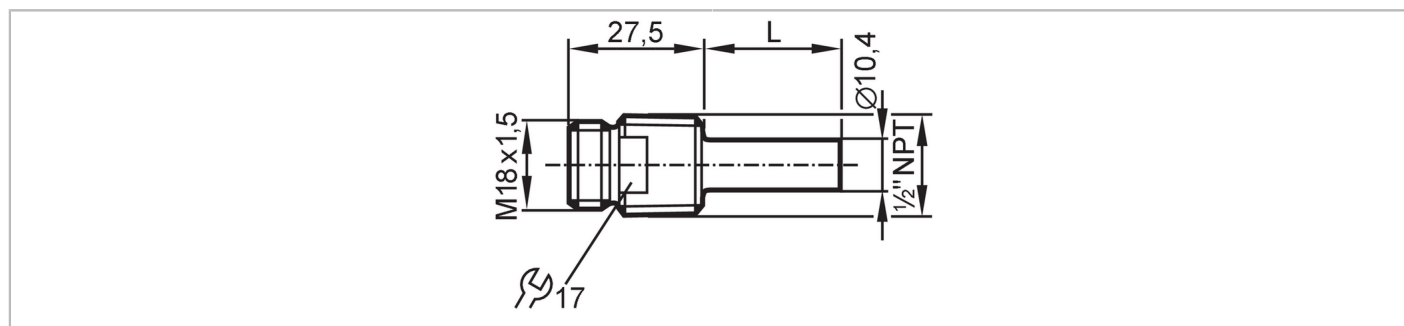


UT0028



Thermowell for temperature sensors

THERMOWELL, TN, 1/2"NPT, 27MM



Application	
Installation	TN
Pressure rating	16 bar 1.6 MPa
Measuring/setting range	
Probe length L [mm]	27
Mechanical data	
Weight [g]	45.359
Material	stainless steel (1.4401 / 316)
Sensor connection	M18 x 1,5
Process connection	1/2" NPT
Accessories	
Accessories (optional)	heat conductive paste:, UT0063
Remarks	
Pack quantity	1 pcs.