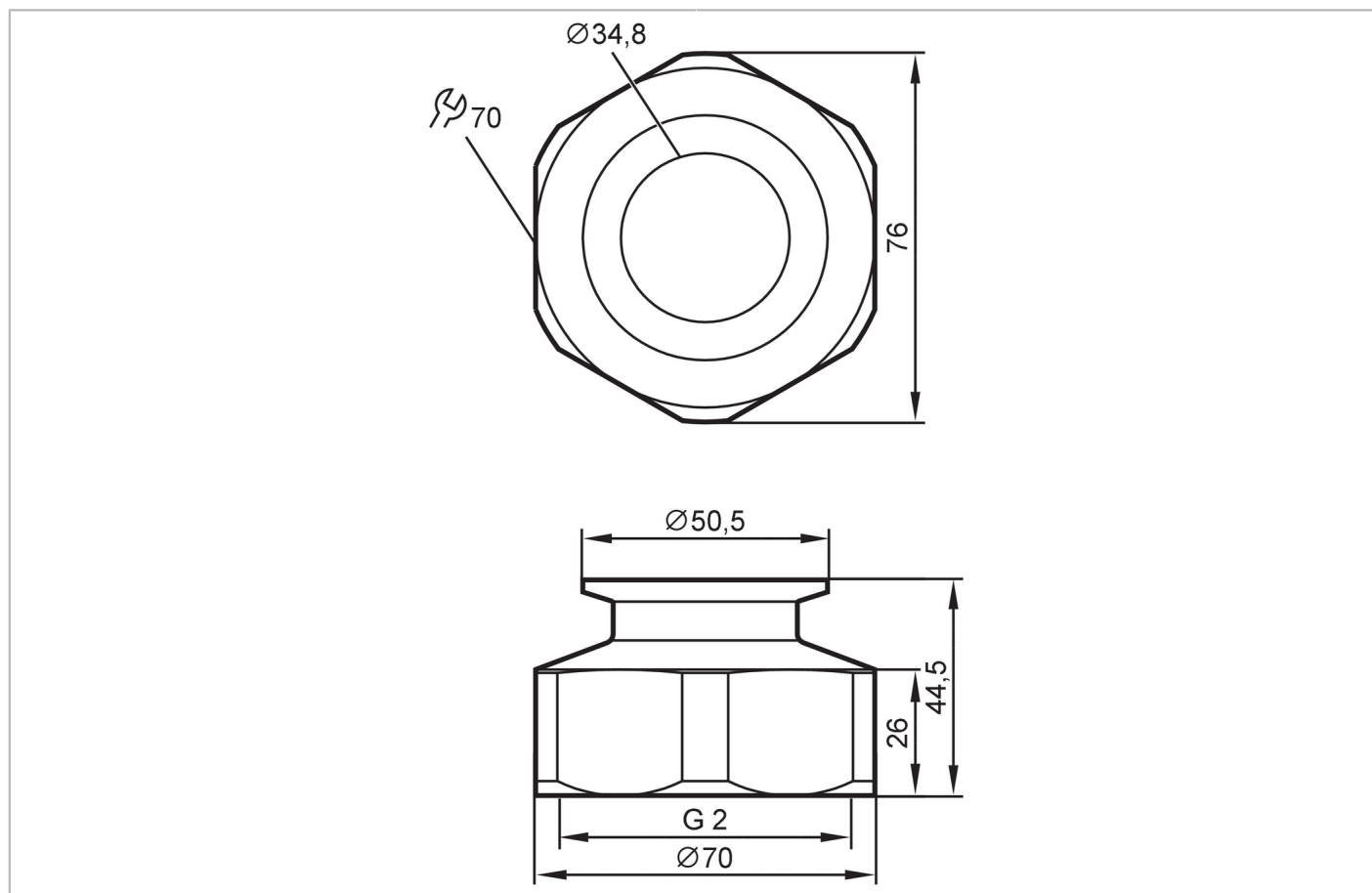


US0053



Mounting adapter for flow sensors

ADTR, G2, 1.5" TC, SS



Mechanical data	
Weight	[g] 886.319
Material	stainless steel (1.4404 / 316L)
Sensor connection	G 2
Process connection	Tri-Clamp 1,5"
Accessories	
Items supplied	O-rings: 2, FKM
Remarks	
Pack quantity	2 pcs.