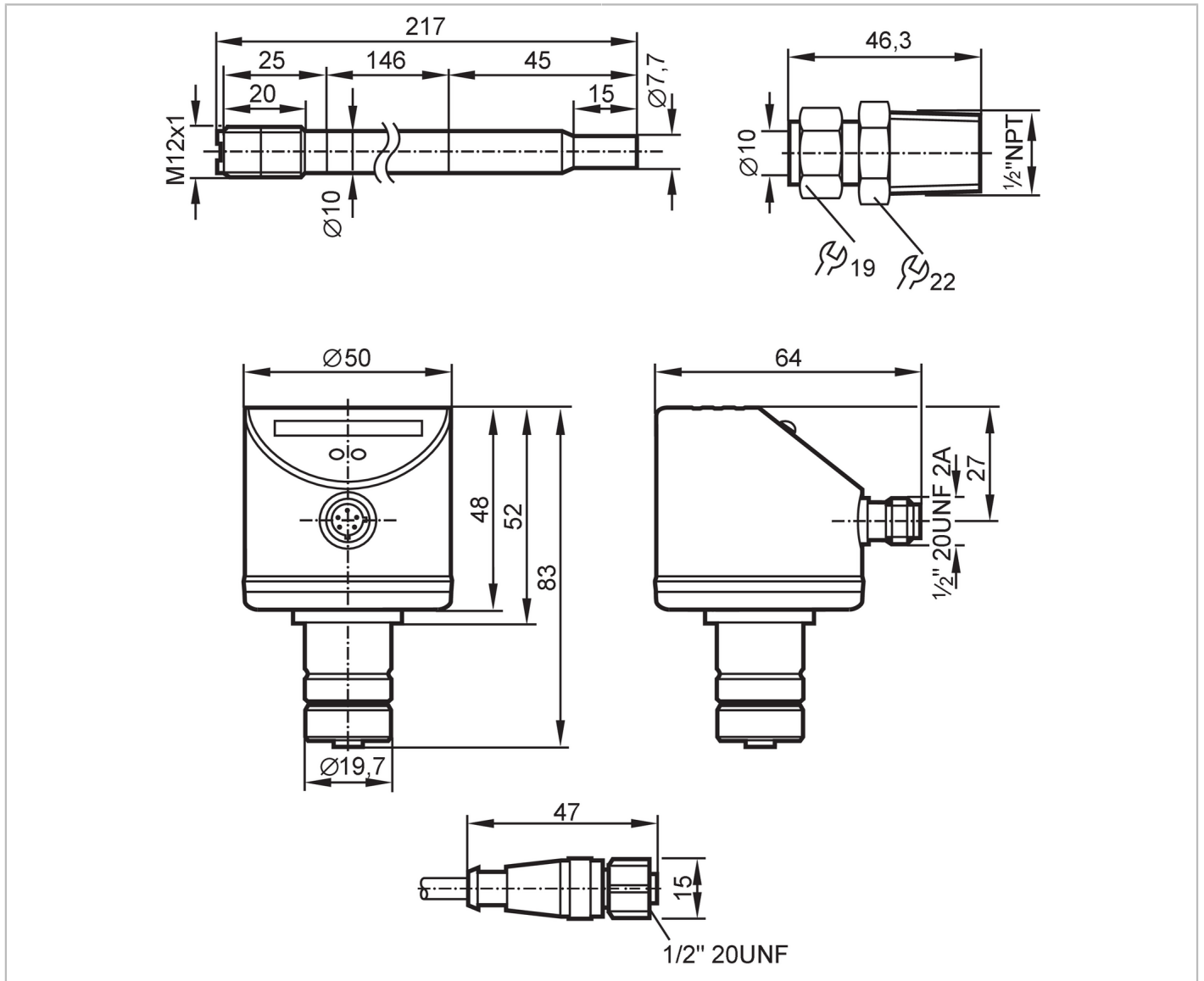


# US0022



## Flow sensor with evaluation unit

KIT, MECH SW RETRO, SR5906



Mechanical data	
Weight	[g] 1746.329
Housing	tubular
Dimensions	[mm] Ø 50 / L = 280
Remarks	
Remarks	SF6200 Flow sensor for connection to evaluation units E40174 Clamp adapter for process sensors SR5906 Control monitor for flow sensors E18239 Female cordset For additional information, please refer to the data sheets and installation instructions for the components listed above.
Pack quantity	1 pcs.